



Overview:

PHYSICAL SPECIFICATIONS	
Tunnel Size	606 x 405 (mm)/23.9" x 15.9" (in.)
Unit Weight	455 kg/1003.1 lbs
Unit Size (LxWxH)	79" x 33.7" x 48.9" (in.)/ 2007 x 855 x 1243 (mm)
Gross Weight	1102.31lbs/500 kg
Packing Size	#1: 86.6" x 39.8" x 61.4" (in.)/550 x 101 x 156 (cm) #2: 33.9" x 33.9" x 55.9" (in.)/86 x 86 x 142 (cm) #3: 26.4" x 30.3" x 4.7" (in.)/67 x 77 x 12 (cm)
GENERAL SPECIFICATIONS	
Conveyor Speed	0.22 m/s forward or backward
Conveyor Height	668 mm / 26.3" in.
Conveyor Capacity	150 kg / 330.7 lbs
Frame Design	304 stainless steel, 2-5 mm cold rolled plate and square steel, double-layer staggered lead impregnated safety curtain
X-Ray Dose/Inspection	≤2.5μSv
X-Ray Leakage	≤1μSv/h at any point 5 cm outside the external surface. FDA standard is ≤5μSv/h
Steel Penetration	30mm / 1.2" in. guaranteed
Wire Resolution	AWG40 guaranteed
Penetration Resolution	AWG32 guaranteed
Spatial Resolution:	1.0 mm Horizontal, 1.0 mm Vertical
Power Consumption	Max. 0.8KW
Noise	<60 dB
Film Safety	Guarantee ASA/ISO1600 Film
X-RAY GENERATOR (SINGLE)	
Anode Voltage	140KV
Ray Direction	Upward
Cooling / Duty Cycle	Sealed oil cooling /100%
COMPUTER AND OTHER	
Monitor	One 17" in. LCD monitors, 1280 x 1024
Console	No
CPU	Intel (R) i3 (R) 3.3GHz
RAM	4GB
Hard Disk	2TB
Keyboard	Special design
Platform	Windows® 10
Backup	Uninterrupted Power Supply (UPS)
Electric Roller	Three-phase
OPERATING ENVIRONMENT	
Operation Temperature/Humidity	5°C to 40°C (41°F to 104°F)/0%-90% (non-condensing)
Storage Temperature/Humidity	-20°C to 60°C (-4°F to 140°F)/10%-90% (non-condensing)
Operation Power	220V(+10% ~ -15%) 50±3Hz Options: 100-130V, 200-250V, 60Hz
UPS	Options: 15mins, 30mins, 60mins etc
IMAGING SYSTEM	
Detector	1152 channels in an L-Shaped Array

Overview:

- Radiation safe
- High resolution, high penetration and good image quality
- Multilingual operation
- Automatic built in test and self diagnosis
- Threat alert and material classification
- Energy saving design
- One key turn off with patent
- Drugs and explosives detection
- Sens-Tech detection board and Hamamatsu detector

Models Available

MODEL	STEEL PENETRATION	X-Ray Generator
2MX-6040	32mm	140kv
2MX-6040H	38mm	160kv

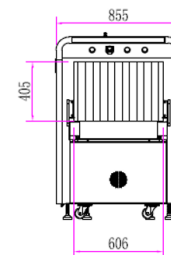
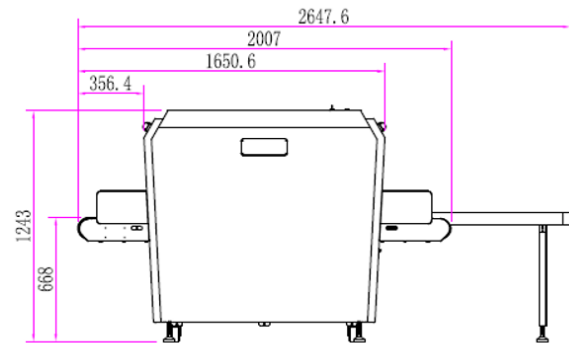


Image Processing	Color / black and white imaging, local enhancement, high penetration, low penetration, super enhancement, organic stripping, inorganic stripping, reverse color, brightening, darkening, gray level change/variable contrast, continuously zoom maximum 64x, pseudo color imaging, organics enhancement, suspicious item alarm and notation, edge enhancement imaging, etc.
Suspicious Alarm	Alarm and box line the suspicious objects including hard to penetrate material, explosives and drugs
Threat Image Projection (TIP)	Inserting fictional, but realistic images of threat items into baggage during screening operation, for maintenance of vigilance, as well as training and assessment of image identification capability
Image Recall	30 recallable images
Image Archive	Up to 50,000 images stored automatically, enable transferring to USB disk, and converting to JPG, BMP and other formats
Miscellaneous Functions	Time/date display, counters, user management, system-on/x-ray-on timers, power on self test, built-in diagnostic facilities, bi-directional scanning, forced scanning, image search and export, system setting, system log, system standby and stimulant training, etc.
Options	Intelligent roller, remote work station, network integration, video monitoring, face recognition and baggage integration, recheck station, additional roller table, etc.

Imaging



Dimensions



*Product specifications and availability are subject to change without notice.