

Specifications

CAMERA	
Sensor	1/3", 4.0 megapixel, progressive scan, CMOS
Lens	3.6mm@F1.8; Angle of view(H): 87°
Shutter	Auto/Manual, 1/6~1/8000 s
Min. Illumination	Color: 0.02 Lux (F1.8, AGC ON); 0 Lux with IR on
Day/Night	IR-cut filter with auto switch (ICR)
IR Range	Up to 30m (98 ft) IR range
S/N	>55dB
WDR	120dB
Noise Reduction	2D/3D
CAMERA	
Video	
Max. Resolution	2592×1520
Video Compression	H.265/H.264/MJPEG
Frame Rate	4MP (2592×1520): Max. 20 fps; 4MP (2560×1440): Max. 25 fps 3MP (2048×1520): Max. 30 fps; 1080P (1920×1080): Max. 30 fps
Video Streaming	Triple
9:16 Corridor Mode	Supported
ROI	Supported
OSD	Up to 8 OSDs
Motion Detection	Up to 2 areas
Privacy Mask	Up to 4 areas
SMART	
Behavior Detection	Intrusion, crossing line, motion detection
Intelligent Identification	Face detection
Statistical Analysis	People counting
NETWORK	
Protocol	L2TP, IPv4, IGMP, ICMP, ARP, TCP, UDP, DHCP, PPPoE, RTP, RTSP, RTCP, DNS, DDNS, NTP, FTP, UPnP, HTTP, HTTPS, SMTP, SIP, 802.1x
Compatible Integration	ONVIF, API
INTERFACE	
Network	1 RJ45 10M/100M Base-TX Ethernet



Features

Optics

- Day/night functionality
- Smart IR , up to 30 m (98 ft) IR distance
- Optical glass window with higher light transmittance
- IR anti-reflection window to increase the infrared transmittance
- 3D DNR (Digital Noise Reduction)

Compression

- H.265, H.264, MJPEG
- Embedded smart algorithm
- Triple streams

9:16 corridor format

Network

- ONVIF Conformance

Structure

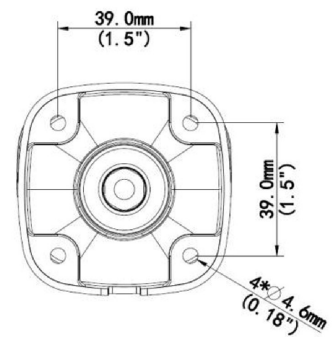
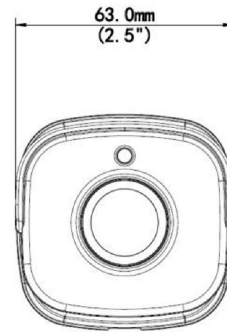
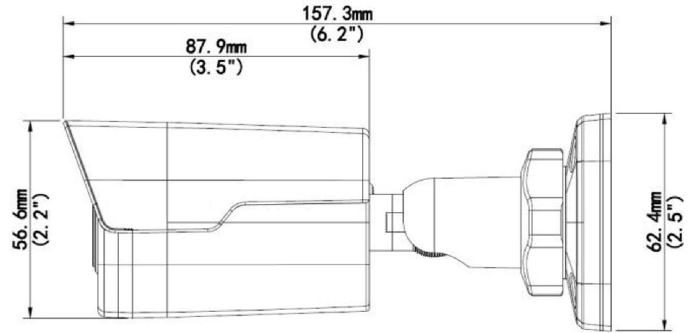
- Wide temperature range: -35°C to 60°C (-31°F to 140°F)
- Wide voltage range of ±25%
- IP66

2MBIP-4MIR30-P

4MP WDR Network IR Mini Bullet Camera

INTERFACE	
Power	12 V DC, or PoE (IEEE802.3 af)
Power Consumption	Max 6.4 W
Dimensions (L × W × H)	157.3 × 62.4 × 63 mm (6.2" × 2.5" × 2.5")
Weight	0.45 kg (0.99 lb)
Working Environment	-35°C ~ +60°C (-31°F ~ 140°F), Humidity ≤ 95% RH(non-condensing)
Ingress Protection	IP66

Dimensions



*Product specifications and availability are subject to change without notice.