

Overview

The 2M Technology vehicle security screening system can be designed to screen passenger vehicles, it can quickly detect dangerous goods and contraband hidden in vehicles, such as weapons, explosives, drugs, smuggled goods, etc. It features a track conveyor which moves the car through the scanner. The driver and passengers can wait outside the vehicle to fully protect them from radiation. Equipped with the latest x-ray generator on the top and U-shaped detectors, the scanner provides high penetration, optimized viewing angle and high definition images.

This vehicle security screening system can be customized to be in terminals, to scan cars, buses, box trucks, etc. The scanner may be used at the entrance of parking lots and important government buildings, road traffic checkpoints, customs, border inspection ports, large event venues. The system can be customized to meet customer requirements and conditions of the installation site. It can be integrated with our License Plate Recognition System, real-time video and real-time capture to meet different project requirements.

Features

- **Mobile scanning:** Mobile design to move the scanning system on rail without a driver to drive the vehicle.
- **Small footprint:** The construction area of 2MX-291300-300KVL is very small, and no additional base construction is needed.
- **Dual-energy imaging:** The 2MX-291300-300KVL can perform automatic substance identification, which can distinguish between organics, inorganic matters and difficult-to-penetrate metal objects. It helps operators quickly identify a variety of dangerous items.
- **Automatic License Plate Recognition(ALPR):** License plate recognition can be integrated to meet a customer's needs.

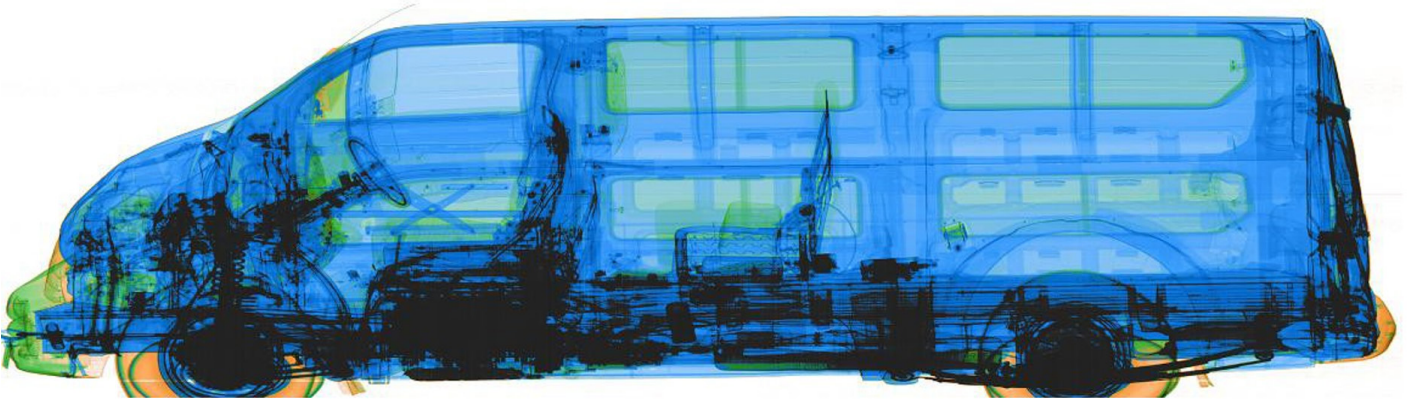
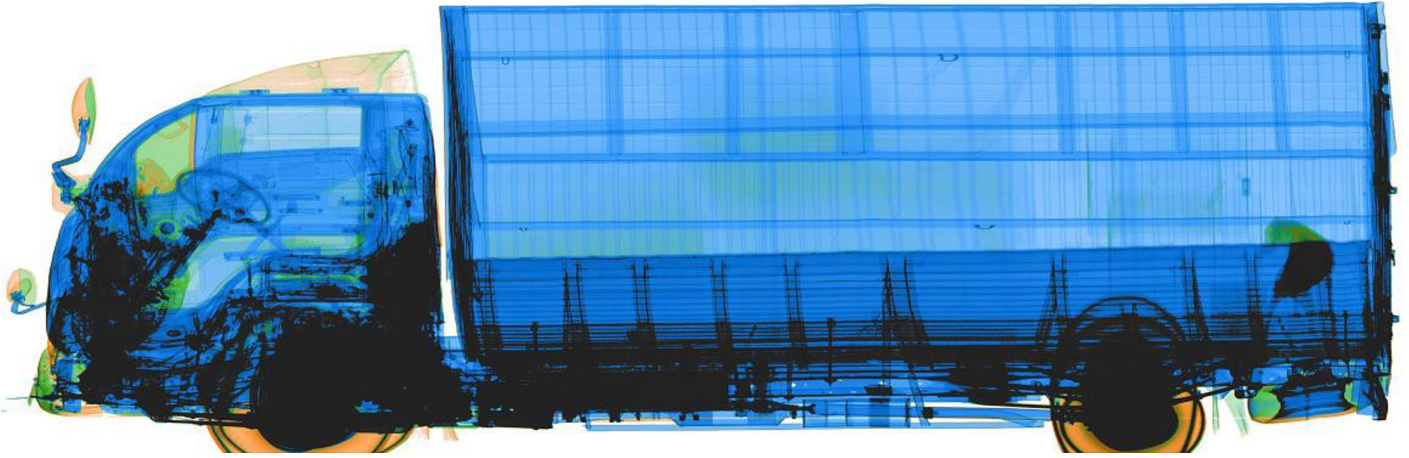
Specifications

PHYSICAL	
Tunnel Size	3 (W) x 3 (H) m (can be customized)
Scanning Speed	0.2 m/s
Steel Penetration	70mm 300KV
Spatial Resolution	Vertical 2mm/Horizontal 1.3mm
Vehicles Per Hour	30
X Ray Dose Per Inspection	<7.2 μ Sv by 200KV
X Ray Leakage	<5 μ Sv/h, anywhere 10m away from the generator of the system
Noise	<65dB(A), anywhere 1m away from the system
Detector Shape	High resolution L-shaped detector line
Safety Standard	Meet the requirements of GB15208.0-2005
Power Consumption	Maximum 4KVA
Console	24-inch display
Film Safety	Guarantee ASA/ISO1600 Film
X-RAY GENERATOR (DUAL ENERGY)	
X-ray generator	sealed oil cooling, optional 320KV
Ray direction	From side
SYSTEM	
Monitor	One 24-inch LCD monitor, 1920*1080
Console	A console which can lock the display and keyboard
CPU	Intel (R) i3 (R) 3.3GHz
RAM	4GB
Hard Disk	2T
Keyboard	Special designed
Platform	Windows 7 or Windows 10
OPERATING ENVIRONMENT	
Operating Temperature	5°C ~ 45°C
Operating Humidity	0% ~ 90% (non-condensing)
Storage Temperature	-25°C~ 50°C
Storage Humidity	10% ~ 95% (non-condensing)
Power supply	AC220V \pm 20%, 50~60Hz \pm 3Hz

Imaging System

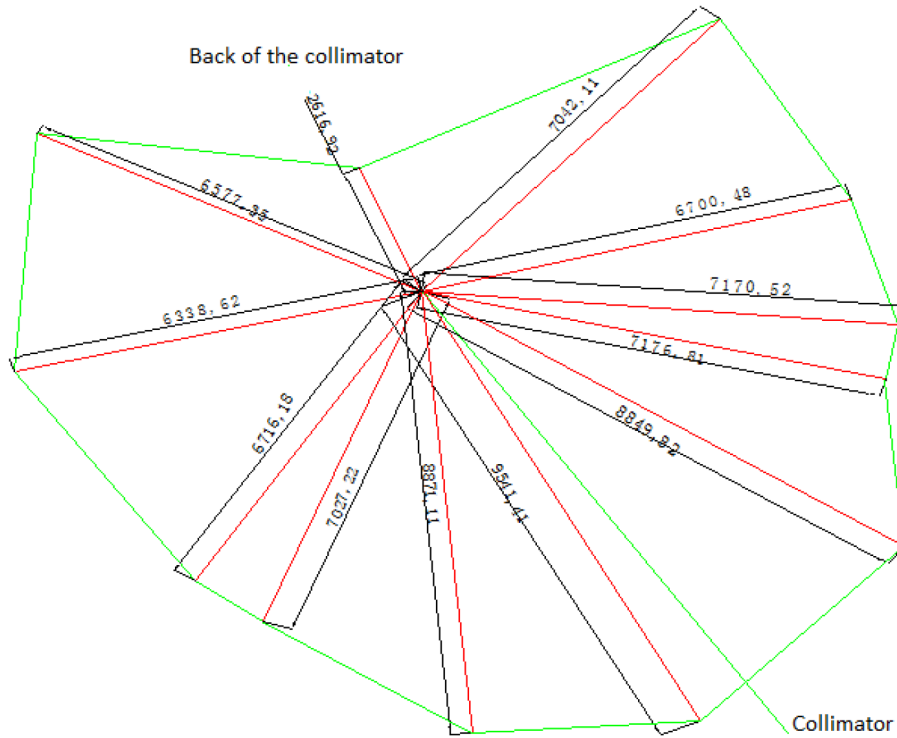
- Password protected login.
- Checked vehicle information list, data query, user management, real-time curve, playback, etc.
- Image function: color / black and white, increase, over increase, inverse color, highlight / darken, local enhancement, super enhancement, organic stripping, inorganic stripping, brightening, darkening, zoom in/out (1-64), etc.
- Real-time video; real-time capture (Optional).

Scanned Images

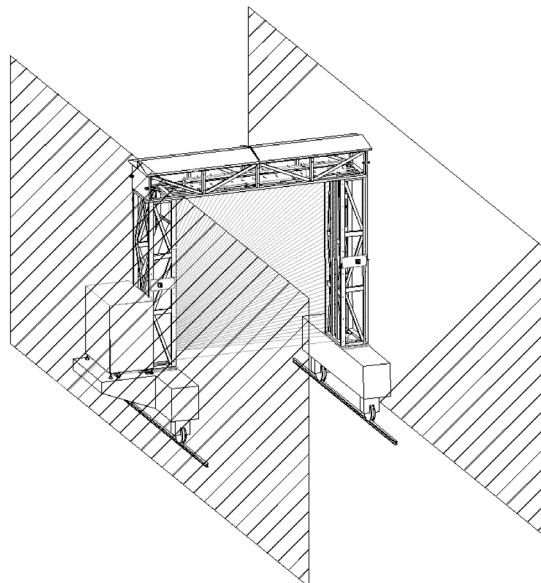


Radiation Safety

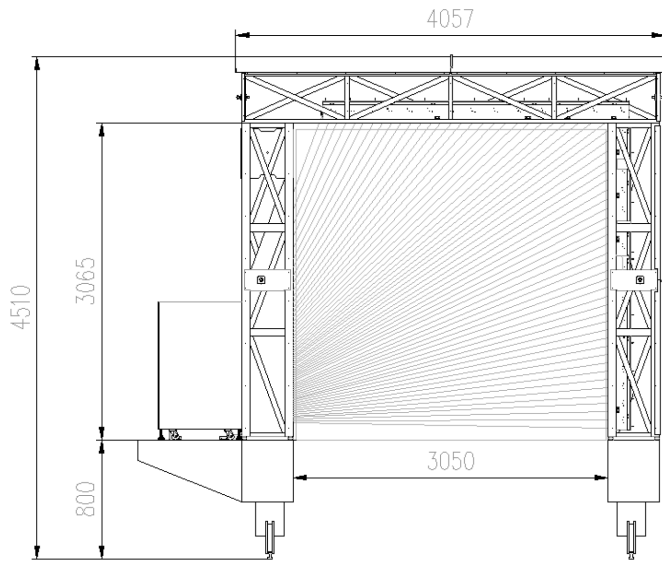
- The control area is as below. The x-ray leakage at the border of the area is <math><5 \mu\text{Sv/h}</math>



- Protection walls of barium sulfate plate, 3m(length) x 2.5m (height), moving with the system.
- The size of the rain shed for vehicle inspection system is 15m (length) x 6m (width) x 6.5m (net height), with Cement shielding wall
- Additional ramps, road barrier and vehicle height limit frame are installed on both sides of the detection channel.



Dimensions



- The height can be adjusted. The figure 800mm above shows the scanning blind area, which can be minimized by lower the rail to under ground.
- Above is designed for box car and below is designed for 55-seat bus.

