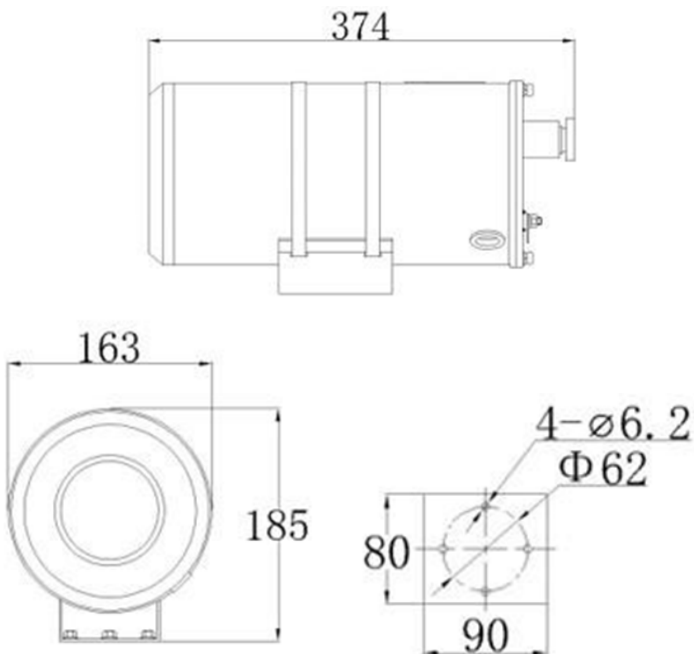




### Features

- Constructed of stainless steel 304
- IP68 ingress protection
- Water cooling system
- 2x G3/4 or NPT3/4 cable entries
- Can be wall or pole mounted

### Dimensions



Dimensions in mm

CERTIFICATES	
<b>Certificate Mark</b>	ExdIIc T5 GB/DIP A20 TA, T5
MECHANICAL	
<b>Housing</b>	Stainless steel 304 (also available in 316L)
<b>IP</b>	IP68
<b>Cable Thread Hole</b>	2pcs G3/4 or NPT3/4
ELECTRICAL	
<b>Voltage</b>	AC85V~AC265V or DC24V or AC24V
<b>Power</b>	15W
AMBIENT	
<b>Ambient Temperature</b>	Water cooling: 0°C - to +250°C [32 °F - 250°F]
<b>Air Pressure</b>	80Kpa to 106Kpa
<b>Relative Humidity</b>	≤95% (no condensation)
GENERAL	
<b>Size</b>	374 x 163 x 185 (mm) 14.8" x 6.4" x 7.3" (in)
<b>Housing Inner Size</b>	260 x 80 x 80 (mm) 10.2" x 3.1" x 3.1" (in)
<b>Weight</b>	9.1kg (20.1 lbs)
<b>Mounted</b>	wall, pole
<b>Wall Bracket</b>	2MEWB04 (304); 2MEWB16 (316L)

### Optional Accessories



<b>Wall Bracket</b>	2MEWB04 (304); 2MEWB16 (316L)
---------------------	-------------------------------

ATEX Markings Breakdown

