

# 2MPIP-2MIR30044X

## 2MP 44x Darklight<sup>®</sup> IR Network Positioning System



### Features

#### Optics

- 44X Optical Zoom(5~220mm) with wider and farther
- Starlight illumination
- Support Optical defog, Self-adaptive defog
- Day/night functionality
- Smart IR , up to 300 m (984 ft) IR distance
- Gyroscope stabilization for stable picture
- Up to 120 dB Optical WDR(Wide Dynamic Range)
- Optical glass window with higher light transmittance
- IR anti-reflection window to increase the infrared transmittance
- 2D/3D DNR (Digital Noise Reduction)

#### Compression

- Ultra 265, H.265, H.264, MJPEG
- Support 1080P@60fps, which has the smoother motion image
- Triple streams
- ROI (Region of Interest)

#### Network

- ONVIF Conformance

#### Structure

- Intelligent temperature control technology
- Intelligent Wiper function
- Embedded gradienter to ensure the horizontal position while installation
- Wide temperature range: -40°C to 70°C (-40°F to 158°F)
- Power supply: DC 48V±25%,DC 24V±15%(DC20V~DC60V)/ DC-48V±25%,DC-24V±15%(DC-20V~DC-60V)/ AC 24V±25%
- Support 1/1 audio in/out, 7/2 alarm in/out , 1 Serial port RS485,1 BNC
- Support up to 256G Micro SD card
- Ingress Protection: IP66

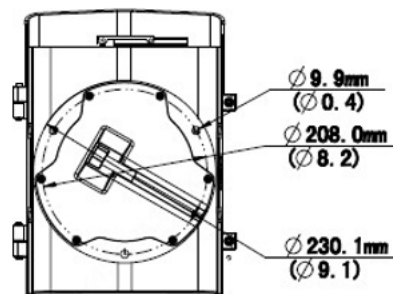
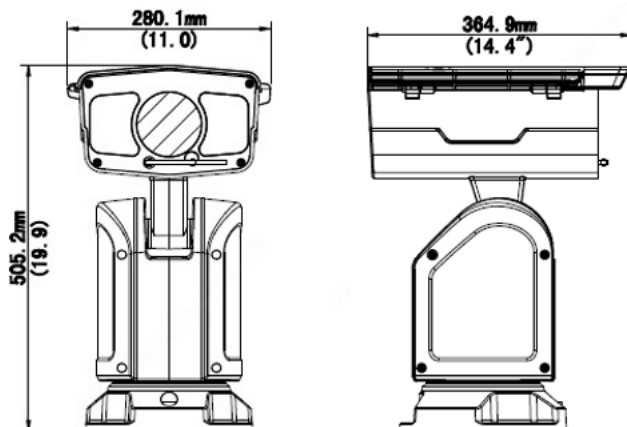
### Functions

CAMERA					
<b>Sensor</b>	1/2.8" progressive scan, 2.0megapixel, CMOS				
<b>Lens</b>	5~220mm, AF automatic focusing and motorized zoom lens				
<b>Digital Zoom</b>	16				
<b>Optical Zoom</b>	44				
<b>DORI Distance</b>	<b>Lens</b>	<b>Detect(m)</b>	<b>Observe(m)</b>	<b>Recognize(m)</b>	<b>Identify(m)</b>
	5mm	77.6(23.7ft)	31.0(9.5ft)	15.5(4.7ft)	7.8(2.4ft)
	220mm	3413.8 (1040.5ft)	1365.5 (416.2ft)	682.8 (208.1ft)	341.4 (104.1ft)
<b>Angle of View (H)</b>	60.6 ~ 1.83°				
<b>Angle of View (V)</b>	34.8°~0.8°				
<b>Angle of View (O)</b>	75.7°~1.8°				
<b>Shutter</b>	Auto/Manual, shutter time: 1s ~ 1/100000 s				
<b>Minimum Illumination</b>	0.0005lux (F1.2, AGC ON,Color); 0 lux with IR				
<b>Iris</b>	F1.2 ~ F3.5				
<b>Day/Night</b>	IR-cut filter with auto switch(ICR)				
<b>Digital noise reduction</b>	2D/3D DNR				
<b>S/N</b>	>52 dB				
<b>Defog</b>	Optical Defog				
<b>WDR</b>	120dB				
<b>IR Distance</b>	300m(984ft)				
VIDEO					
<b>Video Compression</b>	Ultra 265, H.265, H.264, MJPEG				
<b>Frame Rate</b>	Main Stream:2MP (1920×1080)@60fps Sub Stream:2MP(1920×1080)@60fps; Third Stream:D1(720×576)@60fps				
<b>HLC</b>	Supported				
<b>BLC</b>	Supported				
<b>Gyroscope</b>	Supported				
<b>OSD</b>	Up to 8 OSDs				
<b>Privacy Mask</b>	Up to 24 areas				
<b>ROI</b>	Up to 8 areas				
<b>Motion Detection</b>	Up to 4 areas				
SMART					
<b>General Function</b>	Watermark, IP Address Filtering, Tampering Alarm, Alarm input, Alarm output, Access Policy, ARP Protection, RTSP Authentication, User Authentication				

# 2MPIP-2MIR30044X

2MP 44x Darklight<sup>®</sup> IR Network Positioning System

## Dimensions



### AUDIO

**Audio Compression** G.711A, G.711U

**Two way audio** Supported

### STORAGE

**Edge Storage** Micro SD, up to 256 GB

**Network Storage** ANR

### NETWORK

**Protocols** IPv4, HTTP, HTTPS, SSL/TLS, FTP, SMTP, SNMPV1/V2/V3(MIB-II), DNS, NTP, RTSP, RTP, TCP, UDP, IGMP, RTCP, ICMP, DHCP, ARP

**Compatible Integration** ONVIF(Profile S, Profile G, Profile T),API

### PAN & TILT

**Pan Range** 360°

**Pan Speed** 0.1°/s ~140°/s  
 Preset speed: 140°/s

**Tilt Range** -90° ~ +45°

**Tilt Speed** 0.1° ~50°/s  
 Preset speed:50°/s

**Number of Presets** 1024

**Patrol** Preset patrol, route patrol, recorded patrol

**Power-off memory** Supported

**Keep watch** Supported

### INTERFACE

**Audio I/O** 1 Input: impedance 35 k $\Omega$ ; amplitude 2 V [p-p]  
 1 Output: impedance 600  $\Omega$ ; amplitude 2 V [p-p]

**Alarm I/O** 7/ 2

**Serial Port** 1 RS485

**Network** 10M/100M/1000M Base-TX Ethernet

**Video Output** 1 BNC, impedance 75  $\Omega$ ; amplitude 1 V [p-p]

### GENERAL

**Power** DC 48V $\pm$ 25%/DC 24V $\pm$ 15% (DC20V-DC60V)  
 DC-48V $\pm$ 25%/DC-24V $\pm$ 15%(DC-20V-DC-60V),  
 AC 24V $\pm$ 25%

**Dimensions ( $\varnothing$  x H)** 280.1mmx364.9mm x505.2mm ( $\varnothing$ 11.0" x 14.4" x19.9")

**Weight** 13.98kg(30.8lb)

**Working Environment** -40°C ~ +70°C (-40°F ~ 158°F), Humidity : $\leq$ 95% RH(non-condensing)

\*Product specifications and availability are subject to change without notice.