

# 2MEAC04-IP4KZ

8MP IP Motorized Infrared Bullet Camera with  
Air Cooling Explosion Proof Camera Housing - 304 Stainless Steel



## Features

- Day/night functionality
- Optical glass window with higher light transmittance
- IR anti-reflection window to increase the infrared transmittance
- Smart IR, up to 50m (164ft) IR distance
- Up to 120 dB Optical WDR (Wide Dynamic Range)
- 2D/3D DNR (Digital Noise Reduction)
- Ultra 265, H.265, H.264, MJPEG
- Triple streams
- ROI (Region of Interest)
- 9:16 corridor mode
- ONVIF Conformance
- Support PoE power supply
- Wide temperature range: -35°C ~ 60°C (-31°F ~ 140°F)
- Wide voltage range of ±25%
- IP67
- 3-Axis
- Constructed of stainless steel 304
- IP68 ingress protection
- Air cooling system
- 2x G3/4 or NPT3/4 cable entries
- Can be wall or pole mounted

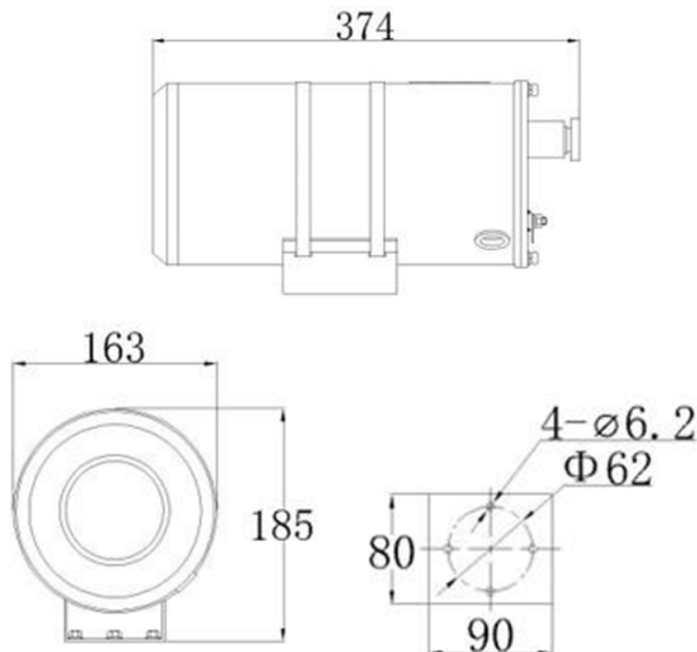
CERTIFICATES					
<b>Certificate Mark</b>		ExdIIc T5 GB/DIP A20 TA, T5			
MECHANICAL					
<b>Housing</b>		Stainless steel 304 (also available in 316L)			
<b>IP</b>		IP68			
<b>Cable Thread Hole</b>		2pcs G3/4 or NPT3/4			
ELECTRICAL					
<b>Voltage</b>		AC85V~AC265V or DC24V or AC24V			
<b>Power</b>		15W			
AMBIENT					
<b>Ambient Temperature</b>		Air cooling -25°C ~ 50°C, [-13°F ~ 122°F]			
<b>Air Pressure</b>		80Kpa to 106Kpa			
<b>Relative Humidity</b>		≤95% (no condensation)			
GENERAL					
<b>Size</b>		374 x 163 x 185 (mm) 14.8" x 6.4" x 7.3" (in)			
<b>Housing Inner Size</b>		260 x 80 x 80 (mm) 10.2" x 3.1" x 3.1" (in)			
<b>Weight</b>		9.1kg (20.1 lbs)			
<b>Mounted</b>		wall, pole			
<b>Wall Bracket</b>		2MEWB04 (304); 2MEWB16 (316L)			
CAMERA					
<b>Image Sensor</b>		1/2", 8.0 megapixel, progressive scan, CMOS			
<b>Lens</b>		2.8 ~ 12mm, AF automatic focusing and motorized zoom lens			
<b>DORI Distance</b>	<b>Lens (mm)</b>	<b>Detect (m)</b>	<b>Observe (m)</b>	<b>Recognize (m)</b>	<b>Identify (m)</b>
	2.8	63	25.2	12.6	6.3
	12	270	108	54	27
<b>Angle of View (H)</b>		114.8° ~ 47.3°			
<b>Angle of View (V)</b>		75.3° ~ 20.4°			
<b>Angle of View (O)</b>		141.2° ~ 55.8°			
<b>Adjustment angle</b>		Pan: 0° ~ 360°; Tilt: 0° ~ 90°; Rotate: 0° ~ 360°			
<b>Shutter</b>		Auto/Manual, 1 ~ 1/100000s			
<b>Minimum Illumination</b>		Color: 0.003Lux (F1.5, AGC ON) 0Lux with IR on			
<b>Day/Night</b>		IR-cut filter with auto switch (ICR)			
<b>Digital noise reduction</b>		2D/3D DNR			
<b>S/N</b>		>52dB			
<b>IR Range</b>		Up to 50m (164ft) IR range			
<b>Defog</b>		Digital Defog			
<b>WDR</b>		120dB			
VIDEO					
<b>Video Compression</b>		Ultra 265, H.265, H.264, MJPEG			

# 2MEAC04-IP4KZ

8MP IP Motorized Infrared Bullet Camera with  
Air Cooling Explosion Proof Camera Housing - 304 Stainless Steel

<b>Frame Rate</b>	Main Stream: 8MP (3840*2160), Max 20fps; 5MP (2592*1944), Max 30fps; 5MP (2944*1656), Max 30fps; 4MP (2560*1440), Max 30fps; 2MP (1920*1080), Max 30fps; Sub Stream: 2MP (1920*1080), Max 30fps; Third Stream: D1 (720*576), Max 30fps
<b>9:16 Corridor Mode</b>	Supported
<b>HLC</b>	Supported
<b>BLC</b>	Supported
<b>OSD</b>	Up to 8 OSDs
<b>Privacy Mask</b>	Up to 8 areas
<b>ROI</b>	Up to 8 areas
<b>Motion Detection</b>	Up to 4 areas
<b>AUDIO</b>	
<b>Audio Compression</b>	G.711
<b>Two-way audio</b>	Supported
<b>Suppression</b>	Supported
<b>Sampling Rate</b>	8KHZ
<b>STORAGE</b>	
<b>Edge Storage</b>	Micro SD, up to 256GB
<b>Network Storage</b>	ANR
<b>NETWORK</b>	
<b>Protocols</b>	IPv4, IGMP, ICMP, ARP, TCP, UDP, DHCP, PPPoE, RTP, RTSP, RTCP, DNS, DDNS, NTP, FTP, UPnP, HTTP, HTTPS, SMTP, 802.1x, SNMP, QoS
<b>Compatible Integration</b>	ONVIF (Profile S, Profile G, Profile T), API
<b>Audio I/O</b>	Audio cable Input: impedance 35kΩ; amplitude 2V [p-p] Output: impedance 600Ω; amplitude 2V [p-p]
<b>Alarm I/O</b>	1/1
<b>Network</b>	1 RJ45 10M/100M Base-TX Ethernet
<b>Video Output</b>	1 BNC, impedance 75Ω; amplitude 1V [p-p]
<b>NETWORK</b>	
<b>Power</b>	DC 12V±25%, PoE (IEEE 802.3af)
<b>Power Consumption</b>	Max 10W
<b>Dimensions (L × W × H)</b>	253.4 × 86.4 × 78.7mm (57.6" × 3.4" × 2.8")
<b>Weight</b>	1.0kg (2.2lb)
<b>Working Temperature</b>	-35°C ~ 60°C (-31°F ~ 140°F),
<b>Working Humidity</b>	≤95% RH (non-condensing)
<b>Ingress Protection</b>	IP67

## Dimensions



Dimensions in mm

## Optional Accessories



**Wall Bracket**

2MEWB04 (304); 2MEWB16 (316L)

ATEX Markings Breakdown

