



Features

- Constructed of stainless steel 304
- IP68 ingress protection
- Air cooling system
- 2x G3/4 or NPT3/4 cable entries
- Can be wall or pole mounted

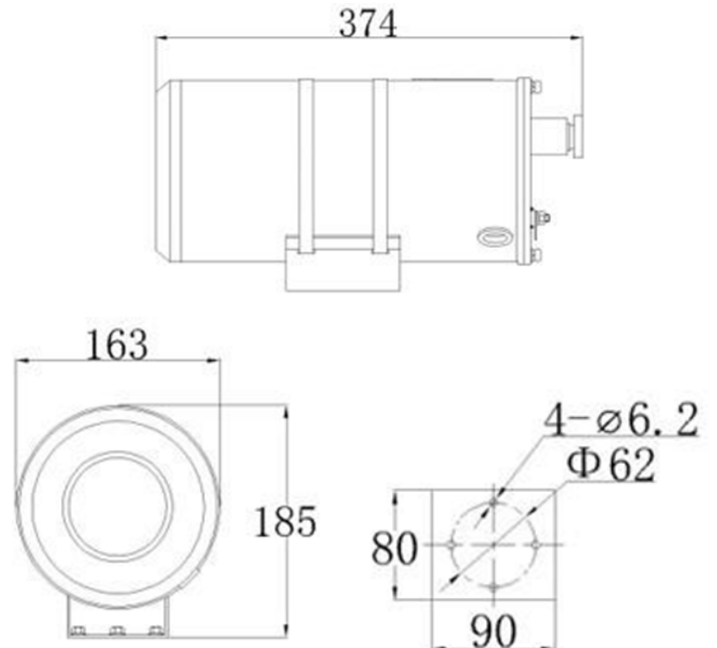
Optional Accessories



Wall Bracket	2MEWB04 (304); 2MEWB16 (316L)
---------------------	-------------------------------

CERTIFICATES	
Certificate Mark	ExdIIc T5 GB/DIP A20 TA, T5
MECHANICAL	
Housing	Stainless steel 304 (also available in 316L)
IP	IP68
Cable Thread Hole	2pcs G3/4 or NPT3/4
ELECTRICAL	
Voltage	AC85V~AC265V or DC24V or AC24V
Power	15W
AMBIENT	
Ambient Temperature	Air cooling -25°C – 50°C, [-13°F – 122°F]
Air Pressure	80Kpa to 106Kpa
Relative Humidity	≤95% (no condensation)
GENERAL	
Size	374 x 163 x 185 (mm) 14.8" x 6.4" x 7.3" (in)
Housing Inner Size	260 x 80 x 80 (mm) 10.2" x 3.1" x 3.1" (in)
Weight	9.1kg (20.1 lbs)
Mounted	wall, pole
Wall Bracket	2MEWB04 (304); 2MEWB16 (316L)

Dimensions



Dimensions in mm