

# 2MEAC16-IP4MZ

4MP IP Motorized Infrared Bullet Camera with  
Air Cooling Explosion Proof Camera Housing - 316L Stainless Steel



## Features

- Day/night functionality
- Smart IR , up to 30 m (98 ft) IR distance
- IR anti-reflection window to increase the infrared transmittance
- 2D/3D DNR (Digital Noise Reduction)
- Ultra 265,H.265, H.264, MJPEG
- Triple streams
- ONVIF Conformance
- Wide temperature range: -30°C to 60°C (-22°F to 140°F)
- Wide voltage range of  $\pm 25\%$
- IP67
- IK10 vandal resistant
- 3-Axis
- Constructed of stainless steel 316L
- IP68 ingress protection
- Air cooling system
- 2x G3/4 or NPT3/4 cable entries
- Can be wall or pole mounted

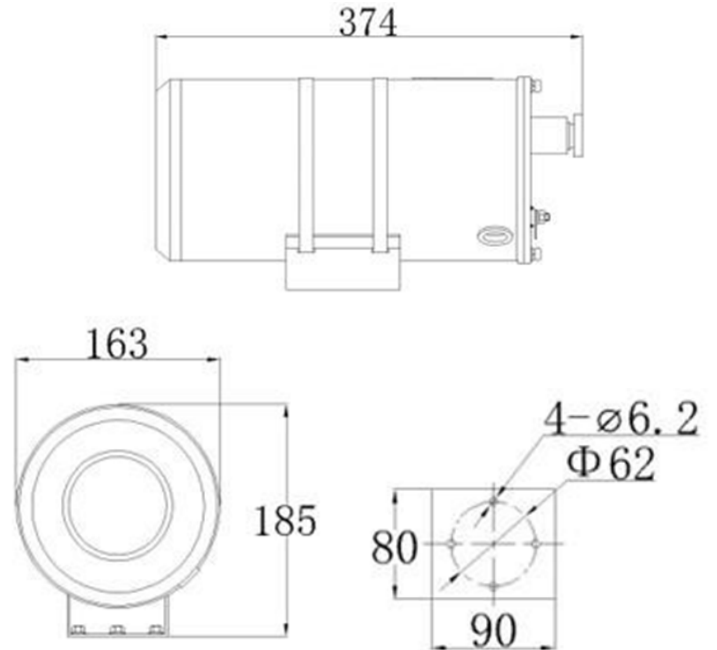
CERTIFICATES					
<b>Certificate Mark</b>	ExdIIC T5 GB/DIP A20 TA, T5				
MECHANICAL					
<b>Housing</b>	Stainless steel 316L (also available in 304)				
<b>IP</b>	IP68				
<b>Cable Thread Hole</b>	2pcs G3/4 or NPT3/4				
ELECTRICAL					
<b>Voltage</b>	AC85V~AC265V or DC24V or AC24V				
<b>Power</b>	15W				
AMBIENT					
<b>Ambient Temperature</b>	Air cooling -25°C – 50°C, [-13°F – 122°F]				
<b>Air Pressure</b>	80Kpa to 106Kpa				
<b>Relative Humidity</b>	≤95% (no condensation)				
GENERAL					
<b>Size</b>	374 x 163 x 185 (mm) 14.8" x 6.4" x 7.3" (in)				
<b>Housing Inner Size</b>	260 x 80 x 80 (mm) 10.2" x 3.1" x 3.1" (in)				
<b>Weight</b>	9.1kg (20.1 lbs)				
<b>Mounted</b>	wall, pole				
<b>Wall Bracket</b>	2MEWB04 (304); 2MEWB16 (316L)				
CAMERA SPECIFICATIONS					
<b>Sensor</b>	1/3", 4.0 megapixel, progressive scan, CMOS				
<b>Lens</b>	2.8~12 mm, motorized zoom lens				
<b>DORI Distance</b>	<b>Lens</b>	<b>Detect (m)</b>	<b>Observe (m)</b>	<b>Recognize (m)</b>	<b>Identify (m)</b>
	2.8mm	63	25.2	12.6	6.3
	12mm	270	108	54	27
<b>Angle of View (H)</b>	91.0°~27°				
<b>Angle of View (V)</b>	54.4°~13.7°				
<b>Angle of View (O)</b>	118.3°~33.2°				
<b>Adjustment Angle</b>	Pan: 0°~360°; Tilt: 0°~90°; Rotate: 0°~360°				
<b>Shutter</b>	Auto/Manual, 1~1/100000 s				
<b>Minimum Illumination</b>	Color: 0.02 Lux (F1.6, AGC ON); 0 Lux with IR on				
<b>Digital noise reduction</b>	2D/3D DNR				
<b>Day/Night</b>	IR-cut filter with auto switch (ICR)				
<b>S/N</b>	>52dB				
<b>IR Range</b>	Up to 30m (98 ft) IR range				
<b>WDR</b>	DWDR				
VIDEO					
<b>Video Compression</b>	Ultra 265,H.265, H.264, MJPEG				
<b>H.264 code profile</b>	Baseline profile, Main Profile, High Profile				
<b>Frame Rate</b>	Main Stream: 4MP (2048*1520): Max. 20fps; Sub Stream: 720P (1280*720): Max. 30 fps; Third Stream: D1 (704*576): Max. 30fps				
<b>HLC</b>	Supported				
<b>BLC</b>	Supported				

# 2MEAC16-IP4MZ

4MP IP Motorized Infrared Bullet Camera with  
Air Cooling Explosion Proof Camera Housing - 316L Stainless Steel

<b>OSD</b>	Up to 4 OSDs
<b>Privacy Mask</b>	Up to 8 areas
<b>ROI</b>	Up to 2 areas
<b>Motion Detection</b>	Up to 4 areas
<b>NETWORK</b>	
<b>Protocols</b>	IPv4, IGMP, ICMP, ARP, TCP, UDP, DHCP, RTP, RTSP, RTCP, DNS, DDNS, NTP, FTP, TPnP, HTTP, HTTPS, SMTP, SSL
<b>Compatible Integration</b>	ONVIF(Profile S, Profile G), API
<b>INTERFACE</b>	
<b>Network</b>	1 RJ45 100M Base-TX Ethernet
<b>Edge Storage</b>	MicroSD, up to 128GB
<b>GENERAL</b>	
<b>Power</b>	12 V DC $\pm$ 25%, PoE (IEEE802.3 af)
<b>Power Consumption</b>	Max 6.5W
<b>Dimensions (L x W x H)</b>	253.4 x 86 x 71.7mm (9.98" x 3.4" x 2.8")
<b>Weight</b>	1kg (2.2lb)
<b>Working Environment</b>	-30°C ~ +60°C (-22°F ~ 140°F),
<b>Ingress Protection</b>	IP67
<b>Vandal Resistant</b>	IK10

## Dimensions



Dimensions in mm

## Optional Accessories



**Wall Bracket**

2MEWB04 (304); 2MEWB16 (316L)

ATEX Markings Breakdown

