

2MEPIR04-IP2M33X

2MP IP Explosion proof PTZ Camera 33x Zoom – 304 Stainless Steel



Features

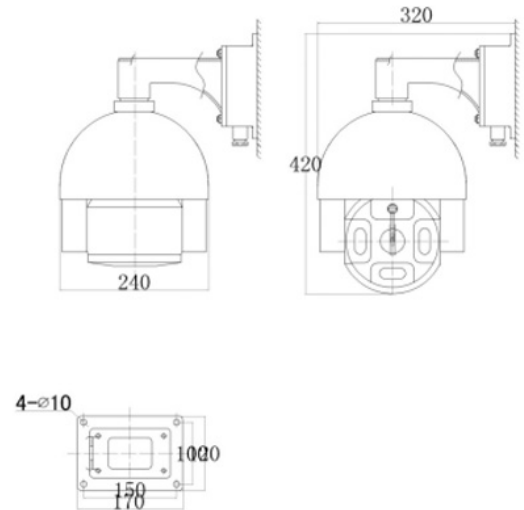
- 304 Stainless steel
- Certificate Mark: ExdII C T6 GB/DIP A20 TA, T6
- Protection enclosure: IP68
- 100m light distance
- Integrated cable
- Integrated with pan tilt station
- Infrared lights
- Wiper included
- Optical zoom 33x, digital zoom 16x

CERTIFICATES					
Certification	ExdII C T6 GB/DIP A20 TA, T6				
MECHANICAL					
Housing	Stainless Steel 304 (also available in 316L)				
Wiper	Yes				
IP	IP68				
Cable Thread Hole	1pcs G3/4 or NPT3/4				
ELECTRICAL					
Voltage	AC85V~AC265V or DC24V or AC24V				
Power	50W/70W (with thermostat)				
AMBIENT					
Ambient Temperature	-25°C to 60°C [-13°F to 140°F]				
Air Pressure	80Kpa to 106Kpa				
Relative Humidity	<95% (no condensation)				
LIGHTS					
Light Distance	100m				
Light Control	Supports				
CAMERA					
Sensor	1/2.8", progressive scan, 2.0 megapixel, CMOS				
Lens	4.5~ 148.5mm, AF automatic focusing and motorized zoom lens				
Digital Zoom	16				
Optical Zoom	33				
DORI Distance	Lens (mm)	Detect (m)	Observe (m)	Recognize (m)	Identify (m)
	4.5	69.8	27.9	14	7
	148.5	2094.8	837.9	419	209.5
Angle of View (H)	62.67°~2.82°				
Angle of View (V)	38.4°~1.3°				
Angle of View (O)	77.1°~3.3°				
Shutter	Auto/Manual; shutter time: 1s ~ 1/100000 s				
Minimum Illumination	Color: 0.001 lux (F1.5, AGC ON); B/W: 0.0001 lux(F1.5, AGC ON)				
Iris	Auto/Manual; F1.5 ~ F4.0				
Day/Night	IR-cut filter with auto switch (ICR)				
Digital noise reduction	2D/3D DNR				
Defog	Digital Defog				
S/N	>52dB				
WDR	120dB				
VIDEO					
Video Compression	Ultra 265,H.265, H.264, MJPEG				
H.264 code profile	Baseline profile, Main Profile, High Profile				
Frame Rate	Main Stream:2MP (1920×1080):Max. 30 fps; Sub Stream:2MP (1920×1080):Max. 30 fps; Third Stream: D1 (720×576): Max. 30 fps				
HLC	Supported				

BLC	Supported
EIS	Supported
OSD	Up to 8 OSDs
ROI	Up to 8 areas
Privacy Mask	Up to 24 areas
Motion Detection	Up to 4 areas
SMART	
Behavior Detection	Intrusion, cross line, motion detection, auto tracking
Intrusion	Enter and loiter in a pre-defined virtual region
Cross Line	Cross a pre-defined virtual line
Motion Detection	Moving within a pre-defined virtual region
Auto Tracking	Tracking the specified target
Recognition	Face detection, Audio detection
Intelligent Identification	Defocus, Scene Change
Statistical Analysis	People counting
General Function	Watermark, IP Address Filtering, Tampering Alarm, Alarm input, Alarm output, Access Policy, ARP Protection, RTSP, Authentication, User Authentication
AUDIO	
Audio Compression	G.711
Two-way audio	Supported
Suppression	Supported
Sampling Rate	8KHZ
STORAGE	
Edge Storage	Micro SD, up to 128 GB
Network Storage	Supported
NETWORK	
Protocols	IPv4, IGMP, ICMP, ARP, TCP, UDP, DHCP, PPPoE, RTP, RTSP, RTCP, DNS, DDNS, NTP, FTP, UPnP, HTTP, HTTPS, SMTP, 802.1x., SNMP
Compatible Integration	ONVIF(Profile S, Profile G), API
PAN & TILT	
Pan Range	360° (endless)
Pan Speed	0.1°/s ~ 400°/s Preset speed: 400°/s
Tilt Range	1° ~ +90°
Tilt Speed	0.1° ~ 240°/s Preset speed: 240°/s
Number of Presets	1024
Patrol	Preset patrol, route patrol, recorded patrol
Home Position	Supported
INTERFACE	
Audio I/O	Audio cable 1 Input: impedance 35 kΩ; amplitude 2 V [p-p] 1 Output: impedance 600 Ω; amplitude 2 V [p-p]
Alarm I/O	2/ 1
Serial Port	1 RS485

Network	1 RJ45 10M/100M Base-TX Ethernet
Video Output	1 BNC, impedance 75 Ω; amplitude 1 V [p-p]
GENERAL	
Power	24 V AC±25%, 24 V DC±25%, PoE (IEEE802.3 at)
Power Consumption	MAX 16W
Reset Button	Supported

Dimensions



ATEX Markings Breakdown

