

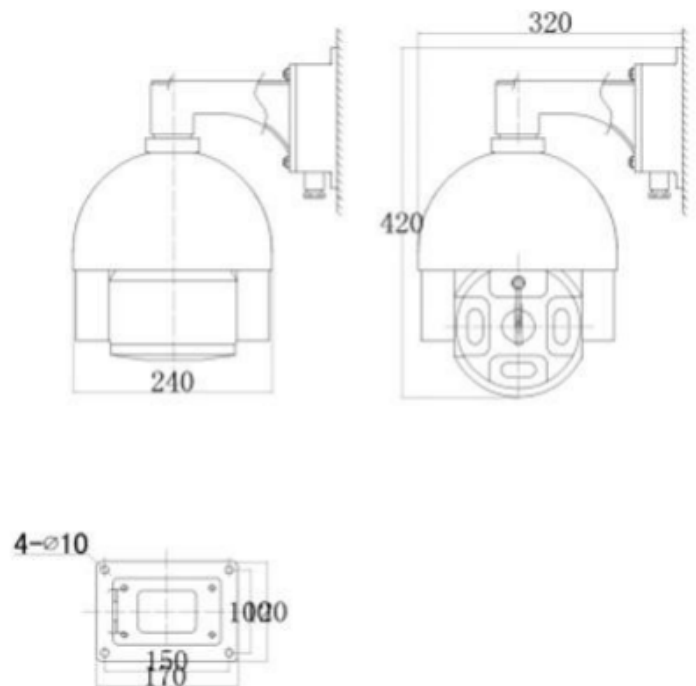


CERTIFICATES	
Certification	ExdII C T6 GB/DIP A20 TA, T6
MECHANICAL	
Housing	Stainless Steel 304 (also available in 316L)
Wiper	Yes
IP	IP68
Cable Thread Hole	1pcs G3/4 or NPT3/4
ELECTRICAL	
Voltage	AC85V~AC265V or DC24V or AC24V
Power	50W/70W (with thermostat)
AMBIENT	
Ambient Temperature	-25°C to 60°C [-13°F to 140°F]
Air Pressure	80Kpa to 106Kpa
Relative Humidity	<95% (no condensation)
LIGHTS	
Light Distance	100m
Light Control	Support
GENERAL	
Cable	Integrated Cable
Dimensions (LxWxH)	319 x 240 x 420 (mm) [12.6" x 9.4" x 16.5" (in)]
Weight	16kg [35.3 lbs]
Mount	Wall

Features

- 304 Stainless steel
- Certificate Mark: ExdII C T6 GB/DIP A20 TA, T6
- Protection enclosure: IP68
- 100m light distance
- Integrated cable

Dimensions



ATEX Markings Breakdown

