

2MEPIR16-T2M33X

2MP Analog Explosion proof PTZ Camera 33x Zoom – 316L Stainless Steel



Features

- 316L Stainless steel
- Certificate Mark: ExdII C T6 GB/DIP A20 TA, T6
- Protection enclosure: IP68
- 100m light distance
- Integrated cable
- Integrated with pan tilt station
- Infrared lights
- Wiper included
- Optical zoom 33x, digital zoom 16x

CERTIFICATES	
Certification	ExdII C T6 GB/DIP A20 TA, T6
MECHANICAL	
Housing	Stainless Steel 316L (also available in 304)
Wiper	Yes
IP	IP68
Cable Thread Hole	1pcs G3/4 or NPT3/4
ELECTRICAL	
Voltage	AC85V~AC265V or DC24V or AC24V
Power	50W/70W (with thermostat)
AMBIENT	
Ambient Temperature	-25°C to 60°C [-13°F to 140°F]
Air Pressure	80Kpa to 106Kpa
Relative Humidity	<95% (no condensation)
LIGHTS	
Light Distance	100m
Light Control	Supports
COMMUNICATIONS	
Communication	Supports analog video output
485 Communication	Supports Pelco-D, Pelco-P
Communication Rate	2400 to 19200bps
PAN & TILT	
Horizontal	360°
Horizontal Speed	0.1-45°/s
Vertical	90 to +90°
Cruise Scan	Supported
Keep Watch	Support
Preset	64/128/255
Resume Function	Supported
Auto Cruise	Supported
Auto Scan	Supported
CAMERA	
Image Sensor	1/3" interline-transfer CCD
Effective Pixel	PAL 976 x 582 / NTSC 976 x 494
Min. Illumination	Color 0.04 Lux / B/W: 0.004Lux
Shutter Time	1/50 (1/60) sec ~ 1/10,000 sec
Day & Night	Auto ICR
Horizontal Resolution	700TVL (color), 720TVL (B&W)
S/N Ratio	> 50dB (AGC off)
LENS	
Focal Length	4 - 92mm, 33x optical
Aperture Range	F1.5 - F3.6
Angle of View	49 - 2.2 degree (Wide-Tele)
Min. Working Distance	10mm - 1500mm (Wide-Tele)
Zoom Speed	Speed Approx. 3s (Optical, Wide-Tele)

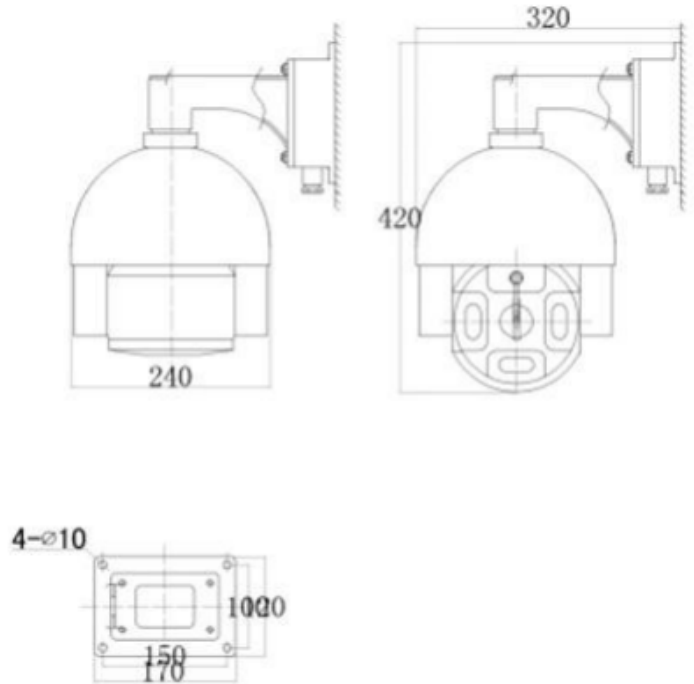
CONTROL

Camera Address	on/off (0-254)
Focus Mode	Auto/Manual/One touch
Gain	off/ lower/ higher
Slow Shutter	X256 MAX
White Balance	Auto white balance 1/auto white balance 2/Manual/auto
Private	Off/ Mode 1/ Mode 2
Video	3D DNR, mirror, brightness, Contrast, Sharpness adjustable
Digital Zoom	X16
Zoom Display	on/off
ZCF Control Mode	Mode 1, mode 2
RS485	Protocol, baud rate, address
Preset	Preset

GENERAL

Cable	Integrated Cable
Dimensions (LxWxH)	319 x 240 x 420 (mm) [12.6" x 9.4" x 16.5" (in)]
Weight	16kg [35.3 lbs]
Mount	Wall

Dimensions



ATEX Markings Breakdown

MARKING ACCORDING ATEX DIRECTIVE 94/9/EC AND IECEx CERTIFICATION SCHEME

