

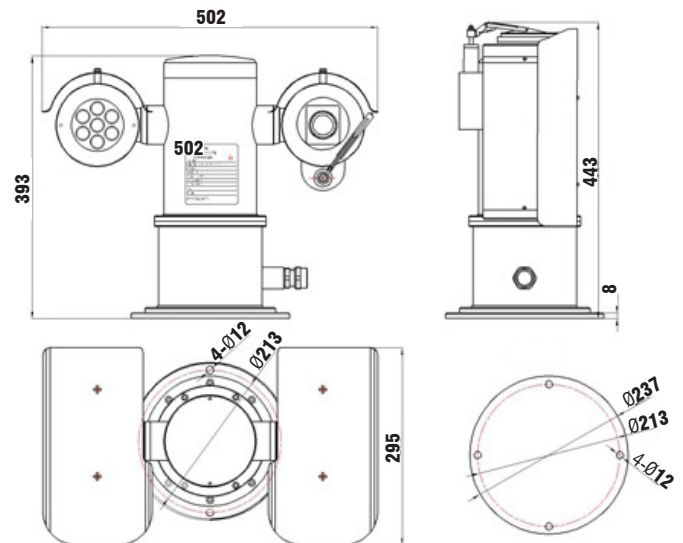


HOUSING	
<b>Certificate Mark</b>	ExdIIIC T6 GB/DIP A20 TA, T6
<b>Certificate No</b>	CNEx13.3111
<b>Standards</b>	Q/320412 ZAF047-2013
MECHANICAL	
<b>Housing</b>	Stainless steel 304 (Also available in 316L SS)
<b>IP</b>	IP68
<b>Cable Thread Hole</b>	1pcs G3/4 or NPT3/4
<b>Wiper</b>	Yes
AMBIENT	
<b>Ambient Temperature</b>	-25°C to +60°C
<b>Air Pressure</b>	80Kpa to 106Kpa
<b>Relative Humidity</b>	≤95% (no condensation)
ELECTRICAL	
<b>Voltage</b>	AC85V~AC265V or DC24V or AC24V
<b>Power</b>	50W /70W (with thermostat)
LIGHTS	
<b>Light distance</b>	100m
<b>Light Control</b>	Supported
GENERAL	
<b>Cable</b>	Integrated cable
<b>Dimensions (LxWxH)</b>	502 x 292 x 443 mm / 19.8" x 11.5" x 17.4" in.
<b>Weight</b>	24.5kg [54 lbs]
<b>Mounted</b>	Wall, Pole

### Features

- 304 Stainless steel (Also available in 316L SS)
- 1pcs G3/4 or NPT3/4
- Rated for outdoors IP68
- PTZ Housing with IR LED Only
- CNEx No: 13.3111
- Corrosion proof paint optional
- Vertical: -90° ~ -90°
- Rotation speed: 0.1°-45°/s
- Wide voltage input: AC24V,
- AC100-240V
- 26.4K/8MPG

### Dimensions



ATEX Markings Breakdown

