

2MEPT16-4M22X

4MP IP PTZ Camera 22x with
Stainless Steel Explosion proof Housing – 316L Stainless Steel



Features

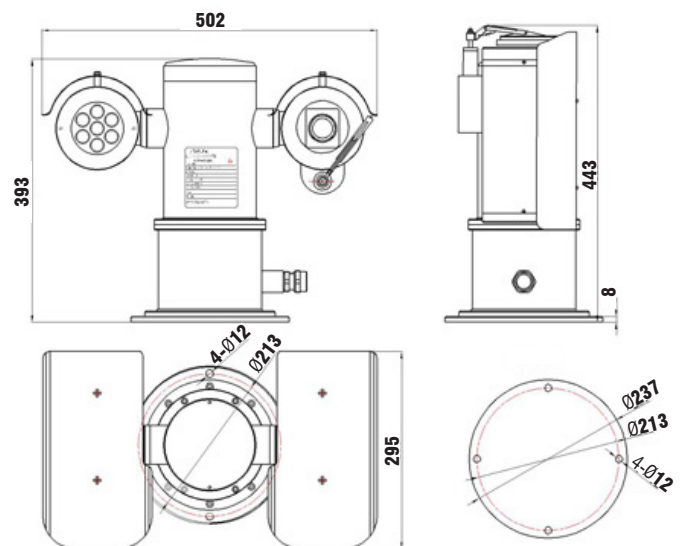
- 316L Stainless steel (Also available in 304 SS)
- 1pcs G3/4 or NPT3/4
- Rated for outdoors IP68
- PTZ Housing with IR LED Only
- CNEx No: 13.3111
- Corrosion proof paint optional
- Vertical: -90° ~ 90°
- Rotation speed: 0.1°-45°/s
- Wide voltage input: AC24V,
- AC100-240V
- 26.4K/8MPG

HOUSING					
Certificate Mark	ExdIIc T6 GB/DIP A20 TA, T6				
Certificate No	CNEx13.3111				
Standards	Q/320412 ZAF047-2013				
MECHANICAL					
Housing	Stainless Steel 316L (also available in 304)				
Wiper	Included				
IP	IP68				
Cable Thread Hole	1pcs G3/4 or NPT3/4				
ELECTRICAL					
Voltage	AC85V~AC265V or DC24V or AC24V				
Power	50W /70W (with thermostat)				
AMBIENT					
Ambient Temperature	-25°C to 60°C [-13°F to 140°F]				
Air Pressure	80Kpa to 106Kpa				
Relative Humidity	<95% (no condensation)				
LIGHTS					
Light distance	100m				
Light Control	Supported				
GENERAL					
Cable	Integrated cable				
Dimensions (LxWxH)	213 x 213 x 570(mm) [8.4" x 8.4" x 22.4" (in)]				
Weight	15kg [33.1lbs]				
Mounted	Wall, Pole				
CAMERA					
Sensor	1/2.8", progressive scan, 2.0megapixel, CMOS				
Lens	5.2~114.4mm, AF automatic focusing and motorized zoom lens				
Optical Zoom	22				
DORI Distance	Lens (mm)	Detect (m)	Observe (m)	Recognize (m)	Identify (m)
	5.2	80.7	32.3	16.1	8.1
	114.4	1775.2	710.1	355	177.5
Angle of View (H)	55.9°~3.5°				
Angle of View (V)	33.5°~1.6°				
Angle of View (D)	68.8°~4.2°				
Shutter	Auto/Manual; shutter time: 1/6 s ~ 1/100000 s				
Minimum Illumination	Color: 0.001 lux (F1.5, AGC ON); B/W: 0.0001 lux(F1.5, AGC ON)				
Iris	Auto/Manual; F1.5 ~ F3.0				
Day/Night	IR-cut filter with auto switch (ICR)				
Digital Noise Reduction	2D/3D DNR				
Defog	Digital Defog				
S/N	>52dB				

WDR	120dB
VIDEO	
Video Compression	Ultra 265, H.265, H.264, MJPEG
H.264 Code Profile	Baseline profile, Main Profile, High Profile
Frame Rate	Main Stream: 4MP (2592×1520): Max. 20 fps; Sub Stream: 4MP (2560×1440): Max. 25 fps Third Stream: 1080P (1920×1080): Max. 30 fps
HLC	Supported
BLC	Supported
OSD	Up to 8 OSDs
ROI	Up to 8 areas
Privacy Mask	Up to 24 areas
Motion Detection	Up to 4 areas
SMART	
Behavior Detection	Intrusion, cross line, motion detection
Intrusion	Enter and loiter in a pre-defined virtual region
Cross Line	Cross a pre-defined virtual line
Motion Detection	Moving within a pre-defined virtual region
Recognition	Face detection, Audio detection
Intelligent Identification	Defocus, Scene Change
Statistical Analysis	People counting
General Function	Watermark, IP Address Filtering, Tampering Alarm, Alarm input, Alarm output, Access Policy, ARP Protection, RTSP, Authentication, User Authentication
AUDIO	
Audio Compression	G.711
Two-way audio	Supported
Suppression	Supported
Sampling Rate	8KHZ
STORAGE	
Edge Storage	Micro SD, up to 128 GB
Network Storage	Supported
NETWORK	
Protocols	IPv4, IGMP, ICMP, ARP, TCP, UDP, DHCP, PPPoE, RTP, RTSP, RTCP, DNS, DDNS, NTP, FTP, UPnP, HTTP, HTTPS, SMTP, 802.1x, SNMP
Compatible Integration	ONVIF(Profile S, Profile G), API
PAN & TILT	
Pan Range	360° (endless)
Pan Speed	0.1°/s ~ 400°/s Preset speed: 540°/s
Tilt Range	-18° ~ +90° (auto reverse)
Tilt Speed	0.1° ~ 240°/s Preset speed: 400°/s
Number of Presets	1024
Patrol	Preset patrol, route patrol, recorded patrol
Home Position	Supported

INTERFACE	
Audio I/O	Audio cable 1 Input: impedance 35 kΩ; amplitude 2 V [p-p] 1 Output: impedance 600 Ω; amplitude 2 V [p-p]
Alarm I/O	2/ 1
Serial Port	1 RS485
Network	1 RJ45 10M/100M Base-TX Ethernet
Video Output	1 BNC, impedance 75 Ω; amplitude 1 V [p-p]
GENERAL	
Power	24 V AC±25%, 24 V DC±25%, PoE (IEEE802.3 at)
Power Consumption	8~ 20W

Dimensions



ATEX Markings Breakdown

