

2MEPT04-TH6450MM

Explosion proof PTZ Thermal Camera with 50mm Lens – 304 Stainless Steel



Features

- 304 Stainless steel (Also available in 316L SS)
- 50mm fixed lens
- Highest protection: IP68
- Double ex-proof marking: EXd & DIP
- Wide voltage: AC100-240V
- Stepping motor & worm gear motor
- Intelligent telephoto speed limits
- 360° Horizontal Auto tracking
- ±90° vertical rotating
- 128/256 points patrol preset
- Germanium glass for thermal imaging cameras available

HOUSING							
Certificate Mark	ExdIIIC T6 GB/DIP A20 TA, T6						
Certificate No	CNEX13.3111						
Standards	Q/320412 ZAF047-2013						
Wiper	Yes						
AMBIENT							
Ambient Temperature	-25°C to +60°C						
Air Pressure	80Kpa to 106Kpa						
Relative Humidity	≤95% (no condensation)						
LIGHTS							
Light Distance	100m						
Light Control	Supported						
MECHANICAL							
Enclosure Material	Stainless steel 304 (Also available in 316L SS)						
Surface Finish	Electro-polished or corrosion resistant paint finish						
Threaded Hole	1 set of G3/4 or M25 x 1.5 cable threaded entry						
Window	Tempered glass for visible light Germanium with AR/DLC coating for thermal vision						
Auto Tracking	Horizontal: 0°~360° continuous, Vertical: ±90°						
Rotation Speed	0° ~ 45°/second						
ELECTRICAL							
Working Voltage	AC85 ~ 265V, AC24V						
Electric Current	≤ 500mA						
Power	< 100W						
Communication Protocol	TCP/IP/PELCO-D/PELCO-P, other						
Communication Rate	2400 ~ 19200bps (adjustable)						
Output Mode	AV/ RJ45						
Preset	128 / 256points						
Cable Connection	Analog: 3- power, 2- video, 2- control Network cable +3- core power						
CAMERA							
Image Device	1/2.8" Progressive Scan CMOS						
50 mm Lens	<table border="1"> <thead> <tr> <th>Person</th> <th>Vehicle</th> </tr> </thead> <tbody> <tr> <td colspan="2">(Detective/recognition/identification)</td> </tr> <tr> <td>1500/380/190m</td> <td>3900/1060/540m</td> </tr> </tbody> </table>	Person	Vehicle	(Detective/recognition/identification)		1500/380/190m	3900/1060/540m
	Person	Vehicle					
(Detective/recognition/identification)							
1500/380/190m	3900/1060/540m						
Effective Pixels/ Resolution	50HZ: 25fps (1920x1080) 60HZ: 30fps (1920x1080) 50HZ: 25fps (1280x720) 60HZ: 30fps (1280x720)						
Optical Zoom	30X, 4.5-135mm						
Zoom	Digital 12X						
Aperture Range	F1.6 - F4.4						
Angle Of View	65.1° -2.34° degree (wide-tele)						
Min. Working Distance	10 mm - 1500 mm (wide-tele)						
Zoom Speed	Approx. 3s (optical, wide-tele)						
Day & Night	ICR						

2MEPT04-TH6450MM

Explosion proof PTZ Thermal Camera with 50mm Lens – 304 Stainless Steel

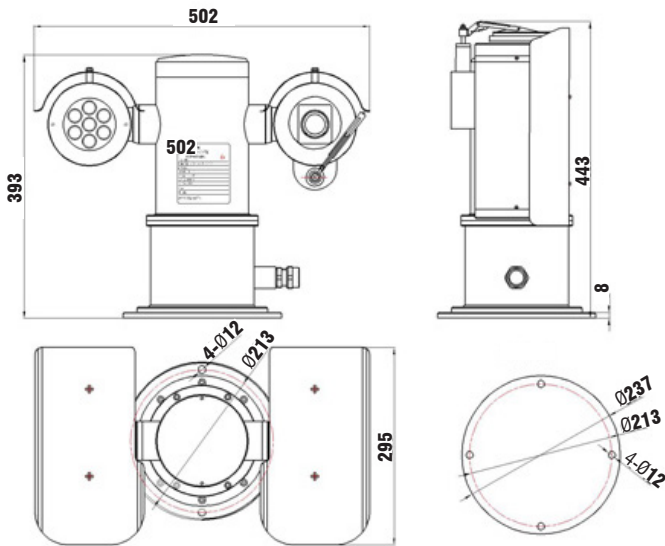
Focus Mode	Auto/manual/one touch
Day & Night Mode	Auto/color/BW
Shutter Time	1/1sec-1/30,000 s
White Balance	Auto 1/Auto 2/Indoor/Outdoor/Manual/Sodium Lamp/ Fluorescent Lamp
BLC	ON/OFF
Exposure Compensation	10 levels adjustable
Gain	16 levels adjustable
Gain Limitation	16 levels adjustable
DNR	3D DNR
Mirror	support
Digital WDR	ON/OFF, 15 levels adjustable
Imaging Setting	Saturation, brightness, contrast, sharpness adjustable
Video Compression	H.264 main profile/MJPEG
Video Bit Rate	32kbps-16mbps
Audio Compression	G.722.1/G.711-a law/G.711-u law/MP2L2/G.726
Imaging Settings	Zoom camera module function can be adjustable by client software ore web browser
Alarm	Motion detection, tampering alarm, storage full, storage exception
Protocol	TCP/IP, HTTP, DHCP, DDNS, RTP, RTSP, PPPoE, SMTP, NTP, UPnP, SNMP, FTP, 802.1, QoS, HTTPS, IPv6 (SIP, SRTP optional)
Standard	ONVIF, PSIA, CGI, ISAPI
Communication Interface	1 RJ45 10M/100M self-adaptive Ethernet interface, 1 RS-485.
Video Output	Dual core 1Vp-p Composite Output (75Ω)
S/N Ratio	More than 52dB
Minimum Illumination	Color: 0.05Lux @ (F1.6, AGC ON) B/W: 0.01Lux @ (F1.6, AGC ON)
THERMAL	
Detector	Uncooled microbolometer FPA (Amorphous Silicon)
Array Format/Pixel Pitch	640 x 480/17μm
Sensitivity	≤50mk@300K
Frame Rate	25Hz
Spectral Range	8-14μm
Focal Length	9,15,19,25,35,40,50,75,100,150mm fixed focus: 25-75,25-100,30-150mm continuous zooming
Digital Zooming	1-8x continuous
Network Image Resolution	720 x 576
Analog Image Resolution	720 x 576
Mainstream Rate	25fps (720 x 576)
Sub-Stream Rate	25fps (352 x 288)
Image Mode	HDR (high dynamic range): sea-sky mode, sky-earth mode

Image Enhancement	IDE (image details enhancement)
Palette	11 kinds of color available (rust, rainbow, white/black, etc), palette color customize
Network Protocol	TCP/IP, ICMP, HTTP, DHCP, DNS, RTP, RTSP, IGMP, 802.1X, ONVIF(profile S)
Video Compression	H.264
Video Preview Connections	Max. 10 at same time
Number of Users	Max 10
High Temperature Alarm	Alarm based on the differential temperature between target with its background
Intelligent Functions	Motion detection, regional intrusion alarm, line crossing alarm, moving path, target enhancement
Network	RJ45 x1 10M/100M/ 1000M base-TX, self-adaption Ethernet port(electrical)
Video Output	CVBS (75Ω) PAL
Serial Port	RS-232, RS-485
Alarm Switch	Input x1, output x1
Storage Interface	Micro SD (TF) card, (max, 64G)
GENERAL	
Operating Temperature	-25°C~60°C (optional-50°C ~ 60°C)
Air Pressure	80KPa~106KPa
Relative Humidity	≤95% (+25°C)
Ingress Protection	IP68
Net Weight	35.5 kg / 78.3 lbs
Overall Size	502 x 292 x 443 mm / 19.8" x 11.5" x 17.4" in.
Weight	24.5kg [54 lbs]
Mount	Wall, Pole

2MEPT04-TH6450MM

Explosion proof PTZ Thermal Camera with 50mm Lens – 304 Stainless Steel

Dimensions



ATEX Markings Breakdown

