

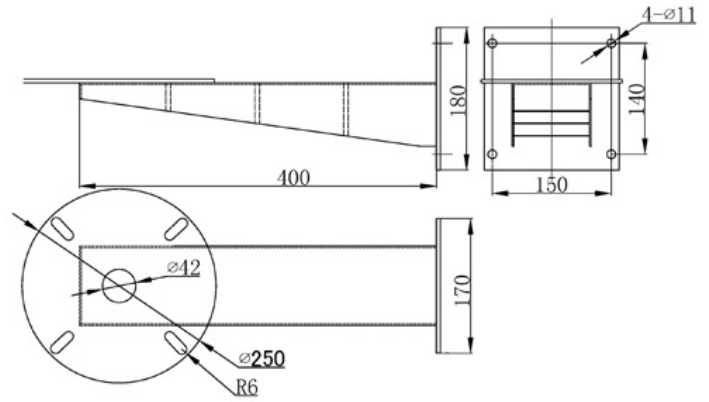
2MEPT16-WM

Stainless Steel Wall Bracket – 316L Stainless Steel

GENERAL	
Material	Stainless steel 316L (also available in 304)
Max Loading	100 kg / 220 lbs
Dimensions	400 x 170 x 170 mm / 15.7" x 6.7" x 6.7" in.
Weight	4.5 kg / 9.9 lbs



Dimensions



Features

- 316L Stainless Steel tips (also available in 304)
- Max load up to 100kg / 220 lbs