



Note: This is image is for marketing purposes ONLY. It does not indicate the position of the cameras and is not to scale.



Vandal Resistant Fisheye Camera



4G Router



NVR with 1 HDD capacity



1 Month Backup



3 Day Battery Backup

Solutions



Features

4K Ultra HD Vandal-resistant Fisheye: 2MFIP-12MIR20-P

- 4K Ultra wide angle lens, 360° panoramic image
- Max 4000 x 3000 resolution
- Support PoE power supply
- Embedded infrared light, 360° fill-in light, up to 10m (33ft) IR distance
- IP66

Video Recorder : 2MN-8004-P4

- 4 channel IP camera input
- 4 PoE channels
- 1 TB hard drive included

Solar Power System

- Monocrystalline silicon solar cell module with a 25 year service life
- Durable Lithium iron phosphate battery with an 8 year service life
- Standby time: 24 hours for 3 days
- Easy to manage controller
- Integrated power cabinet

Note: More cameras can be added. Further customization is available. Price will change accordingly.

Specifications

CAMERA: 2MPIP-2MIR505X					
Sensor		1/1.7", 12.0 megapixel, progressive scan, CMOS			
Lens		1.8mm@F2.4			
DORI Distance	Lens	Detect (m)	Observe (m)	Recognize (m)	Identify (m)
	1.8	43.8	17.5	8.8	4.4
Angle of View (H)		360°			
Shutter		Auto/Manual, shutter time: 1 ~ 1/100000s			
Minimum Illumination		Color: 0.05 Lux (F2.4, AGC ON) 0 Lux with IR			
Day / Night		IR-cut filter for day & night function			
S/N Ratio		>52dB			
IR Range		Up to 10m (33ft)			
wavelength		850nm			
IR On/Off Control		Auto/Manual			
Defog		Digital Defog			
WDR		DWDR			
VIDEO					
Video Compression		Ultra265, H.265, H.264, MJPEG			
H.264 code profile		Baseline profile, Main Profile, High Profile			
Frame Rate		Main Stream: 15fps (4000 x 3000, 3000 x 3000); 25fps (2560 x 2560); Sub Stream: 15fps (2000 x 1500, 2000 x 2000); 25fps (2000 x 2000); Third Stream: 15fps (720 x 576, 320 x 288)			

4K Ultra HD Vandal Resistant Fisheye



Panorama	25fps (3000 x 2000); 15fps (4000 x 3000, 3000 x 2000, 3000 x 1500)
Frame Rate PTZ	15fps (1920 x 1080)
Video Bit Rate	128 Kbps—16 Mbps
ROI	Up to 8 areas
OSD	Up to 8 OSDs
Privacy Mask	Up to 8 areas
Motion Detection	Up to 4 areas
IMAGE	
White Balance	Auto/Outdoor/Fine Tune/Sodium Lamp/Locked/Auto2
Digital Noise Reduction	2D/3D DNR
Smart IR	Support
Flip	Normal/Flip Vertical/ Flip Horizontal/180°
Dewarping	N/A
HLC	N/A
BLC	Support
AUDIO	
Audio Compression	G.711
Two-way audio	Supported
Suppression	Supported
Sampling Rate	8 KHZ
STORAGE	
Edge Storage	Micro SD, up to 256GB
Network Storage	ANR, NAS (NFS)
NETWORK	
Protocols	IPv4, IGMP, ICMP, ARP, TCP, UDP, DHCP, PPPoE, RTP, RTSP, RTCP, DNS, DDNS, NTP, FTP, UPnP, HTTP, HTTPS, SMTP, 802.1x, SNMP, QoS
Compatible Integration	ONVIF (Profile S, Profile G, Profile T), API
Client	EZStation, EZView, EZLive
Web Browser	Plug-in required live view: IE9+, Chrome® 41 and below, Firefox® 52 and below
	Plug-in free live view: Chrome® 57.0+, Firefox® 58.0+, Edge® 16+, Safari® 11+

LIVE VIEW DISPLAY

Mount Type	Support table, wall, and ceiling
Display Mode	Support 10 display modes in total (including display modes of mount types and decoding modes): Display Mode: Original Image, Fisheye+4PTZ, Panoramic Preview Mode: Original Image, 360° Panoramic +1PTZ, 180° Panoramic, Fisheye+3PTZ, Fisheye+4PTZ, 360° Panoramic+6PTZ, Fisheye+8PTZ

INTERFACE

Audio I/O	Audio interface
	Input: impedance 35kΩ; amplitude 2V [p-p] Output: impedance 600Ω; amplitude 2V [p-p]
Alarm I/O	2/1
	Multiple Alarm linkage editable
Built-in Mic	Supported
Built-in Speaker	Supported
Serial	1 channel RS485 interface
Network	1 RJ45 10M/100M Base-TX Auto-adaptive Ethernet
Video Output	1 BNC, impedance 75Ω; amplitude 1V [p-p]

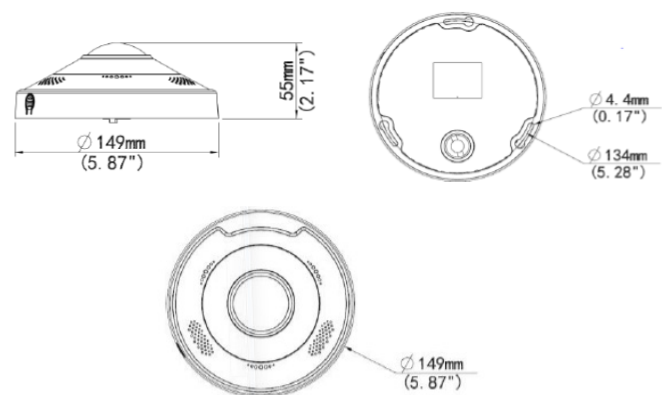
CERTIFICATIONS

Certifications	CE: EN 60950-1, FCC: FCC Part 15
-----------------------	----------------------------------

GENERAL

Power	DC 12V±25%, PoE (IEEE 802.3af)
	Power consumption: Max 11.7W
Dimensions (Ø x H)	Ø 149 x 55 (mm) (Ø 5.87" x 2.17" in.)
Net Weight	0.5kg (1.1lb)
Material	Metal + Plastic
Working Environment	-35°C ~ 60°C (-31°F ~ 140°F), Humidity: ≤95% RH
Storage Environment	-35°C ~ 60°C (-31°F ~ 140°F), Humidity: ≤95% RH
Surge Protection	6kv
Ingress Protection	IP66
Vandal Resistant	IK10
Reset Button	Supported

Dimensions



Network Video Recorder



RECORDER MODEL: 2MN-8004-P4

VIDEO INPUT/ OUTPUT

IP Video Input	4CH
Two-way Audio Input	1CH, RCA

NETWORK

Incoming Bandwidth	80Mbps
Outgoing Bandwidth	64Mbps
Remote Users	128
Protocols	P2P, UPnP, NTP, DHCP, PPPoE

VIDEO/AUDIO OUTPUT

HDMI/VGA Output	HDMI: 3840x2160/30Hz, 1920x1080p/60Hz, 1920x1080p/50Hz, 1600x1200/60Hz, 1280x1024/60Hz, 1280x720/60Hz, 1024x768/60Hz VGA: 1920x1080p/60Hz, 1920x1080p/50Hz, 1600x1200/60Hz, 1280x1024/60Hz, 1280x720/60Hz, 1024x768/60Hz
Recording Resolution	4K/5MP/4MP/3MP/1080p/960p/720p/D1/2CIF/CIF
Audio Output	1-ch, RCA
Synchronous Playback	4-ch
Corridor Mode Screen	3/4

DECODING

Decoding format	Ultra 265/H.265/H.264
Liveview/Playback	4K/5MP/4MP/3MP/1080p/960p/720p/D1/2CIF/CIF
Capability	1 x 4K@30, 1 x 5MP@30, 2 x 4MP@30, 2 x 3MP@30, 4 x 1080P@30

HARD DISK

SATA	1 SATA interface
Capacity	up to 6TB for each disk

SMART

VCA Detection	Face detection, Intrusion detection, Cross line detection, Audio detection, Defocus detection, Scene change detection, Auto tracking, Object Left Behind, Object Removed
VCA Search	Face search, Behavior search
Statistical Analysis	People counting

EXTERNAL INTERFACE

Network Interface	1 RJ45 10M/100M self-adaptive Ethernet Interface
USB Interface	Rear panel: 1 x USB2.0, 1 x USB3.0

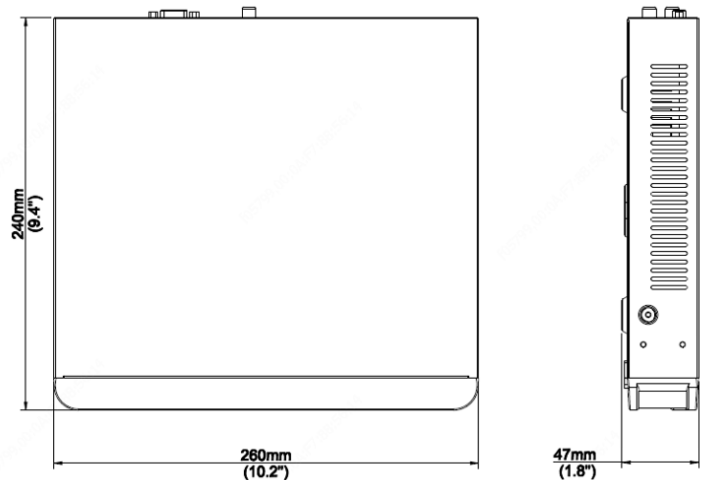
POE

Interface	4 independent 100 Mbps PoE network interfaces
Max Power	Max 30W for single port Max 54W in total (13.5W for each)
Supported Standard	IEEE 802.3at, IEEE 802.3af

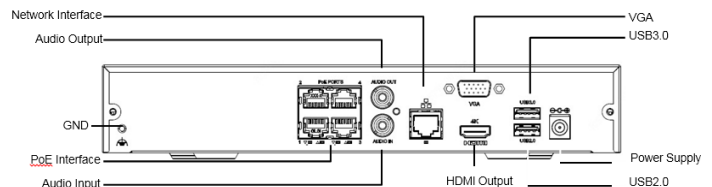
GENERAL

Power Supply	48V DC
Power Consumption	≤9W (without HDD)
Working Environment	-10°C ~ 55°C (14°F ~ 131°F), Humidity ≤ 90% RH (non-condensing)
Dimensions (W×D×H)	260 x 240 x 47 (mm) (10.2"×9.4"×1.9" in.)
Weight (without HDD)	1kg (2.20 lb)

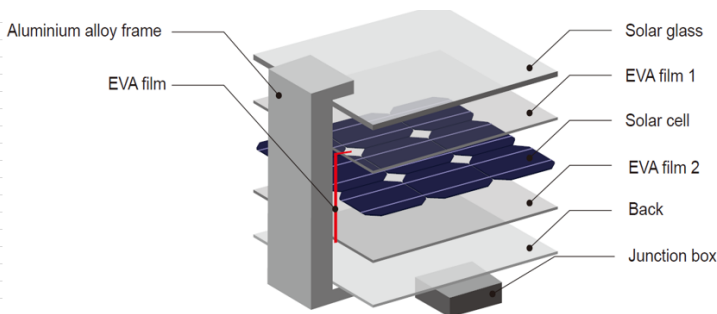
Recorder Dimensions



Rear Panel



Solar Panel Modules



SOLAR MODULE SPECIFICATIONS

MODULE DATA

Standard Power (W)	170	300	380
Working Voltage (V)	18.86	32.01	38.41
Working Current (A)	8.51	8.86	8.86
Open Circuit Voltage (V) Voc	22.35	37.27	44.72
Short-circuit Current (A) Isc	9.02	9.373	9.895
Cell Efficiency (%) CE	19.3	19.9	19.9
Module Efficiency (%) ME	>16.13	>17.43	>17.52
Tolerance (%)	±3%		
Nominal Operating Cell Temperature	47°C (+/- 2°C) 116.6°F (+/- 35.6°F)		

TEMPERATURE COEFFICIENTS

Short Circuit Current Coefficient Isc (%)	0.04°C / 32.1°F
Open Circuit Voltage Coefficient Voc (%)	-0.38°C / 31.3°F
Nominal Power Factor Pm (%)	-0.47°C / 31.2°F
Working Current Coefficient Im(%)	0.04°C / 32.1°F
Working Voltage Coefficient Vm (%)	-0.38°C / 31.3°F

COMPONENTS & MECHANICAL DATA

Solar Cell	156 x 156 Mono-crystalline silicon		
Number of Cell (pcs)	4 x 9 series connection	6 x 10 series connection	6 x 12 series connection
Size of Module	1485 x 668 mm / 4.9' x 2.2' ft	1640 x 990 mm / 5.4' x 3.2' ft	1960 x 990 / 6.4' x 3.2' ft
Front Glass Thickness	3.2mm 0.1" in		
Surface Maximum Load Capacity	2400-5400Pa		
Allowable Hail Load	23m/s, 7.53g 23m/s, 0.3oz		
Weight Per Piece (kg)	15.26kg/33.6 lbs	18.86/41.6 lbs	22.16/48.9 lbs
Junction Box Type	Pass the TUV or CE Certificate		
Bypass Diode Rating (A)	12 or None		
Cable & Connector Type	Pass the TUV or CE Certificate		
Frame (Material Corners,etc.)	30# / 35#	40# / 35#	
Back Board Type (Brand Type)	TPT, PET or KPF		
Working Temperature	-40°C to 85°C -40°F to 185°F		
Standard Test Conditions	AM1.5 1000W/m ² 25°C/77°F		

Solar Power Controller MPPT



CONTROLLER SPECIFICATIONS

System Voltage	12V/24V/48V/96V automatic recognition
Max Charging Current	40A
Fast Charging Voltage	14.0/28.0V/56V/112V(25°C)/(77°F)
Boost Charging Voltage	14.5/29.0V/58.0V/116V(25°C)/(77°F)
Equalization Charging Voltage	14.8/29.6V/59.2V/118.4V(25°C)/(77°F)
Float Charging Voltage	13.7/27.4V/54.8V/109.6V(25°C)/(77°F)
Low Voltage Alarm	11.0/22.0/44.0/88.0V
Low Voltage Disarming	12.5/25.0V/50.0V/100.0V
Storage Cell Type	Liquid, Gel, Lithium
Temperature Compensation	-4.17mV/K per cell (boost charging, equalization charging); -3.33mV/K per cell (float charging)
Solar Power End Max Voltage	55V/100V/150V/300V
Storage Cell Max Voltage	DC280V
Cable Length	120mm/80mm 4.7" in/3.1" in.
High Protection Voltage For Storage Cell	15.5/31.0/62V/124V
Communication Protocol	RS232/RS485/TCP/IP transmission wired or wireless by GPRS/3G/4G etc.
Recommended Wire Diameter	6mm ²
Max Current Consumption	8mA /16mA /24mA
Working Temperature	-40°C ~ 60°C
Protection Level	IP30~IP68
Altitude (for reference)	4000~5000m 2.5~3.1 miles

Lithium Iron Phosphate Battery

BATTERY SPECIFICATIONS

Voltage	12.8V
Max Capacity	230AH
Discharge Stop Voltage	11.2V
Charge Stop Voltage	14.4V
Working Temperature	-10°C~70°C 14°F to 158°F
Service Life	2000-2500 circle life
Features	Deep discharge depth, no memory, environmental protection, portable, long life



Note: Batteries are custom made according to the projects requirement. Picture is for reference only.