

2MS2B-4G3D

Solar Solution with a 4MP Mini Fixed Bullet Camera, NVR and 4G Router
 Standby 24hr x3 Days



Note: This image is for marketing purposes ONLY. It does not indicate the position of the cameras and is not to scale.



2x Fixed Bullet Camera



4G Router



NVR with 1 HDD capacity



1 Month Backup



3 Day Battery Backup

Solutions



Features

4MP Mini Fixed Bullet Network Camera: 2MBIP-4MIR30-E

- Day/night functionality
- Smart IR, up to 30 m (98 ft) IR distance
- Optical glass window with higher light transmittance
- IR anti-reflection window to increase the infrared transmittance
- 2D/3D DNR (Digital Noise Reduction)

Video Recorder : 2MN-8004-P4

- 4 channel IP camera input
- 4 PoE channels
- 1 TB hard drive included

Solar Power System

- Monocrystalline silicon solar cell module with a 25 year service life
- Durable Lithium iron phosphate battery with an 8 year service life
- Standby time: 24 hours for 3 days
- Easy to manage controller
- Integrated power cabinet

Note: More cameras can be added. Further customization is available. Price will change accordingly.

4MP Mini Fixed Bullet Network Camera

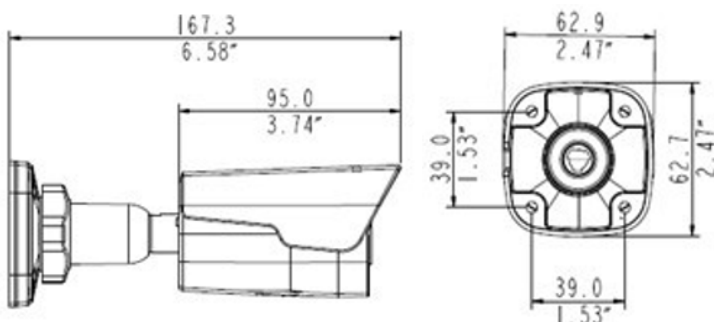


Specifications

CAMERA: 2MBIP-4MIR30-E					
Sensor		1/2.7", 5.0 megapixel, progressive scan, CMOS			
Lens		4.0mm@F2.0			
DORI Distance	Lens	Detect (m)	Observe (m)	Recognize (m)	Identify (m)
	4.0mm	60	24	12	6
Angle of View (H)		79.7°		50.5°	

Angle of View (V)	51.8°	35.9°
Angle of View (D)	98.0°	62.1°
Adjustment Angle	Auto/Manual, 1~1/100000 s	
Shutter	Color: 0.01 Lux (F2.0, AGC ON) 0 Lux with IR on	
Digital Noise Reduction	2D/3D DNR	
Day/Night	IR-cut filter with auto switch (ICR)	
S/N	>52dB	
IR Range	Up to 30m (98 ft) IR range	
WDR	DWDR	
VIDEO		
Video Compression	Ultra 265, H.265, H.264, MJPEG	
H.264 code profile	Baseline profile, Main Profile, High Profile	
Frame Rate	Main Stream:5MP (2592*1944): Max.15fps; Sub Stream: 720P (1280×720): Max.20fps;	
HLC	Supported	
BLC	Supported	
OSD	Up to 4 OSDs	
Privacy Mask	Up to 8 areas	
ROI	Up to 2 areas	
Motion Detection	Up to 4 areas	
NETWORK		
Protocols	IPv4, IGMP, ICMP, ARP, TCP, UDP, DHCP, RTP, RTSP, RTCP, DNS, DDNS, NTP, FTP, UPnP, HTTP, HTTPS, SMTP, SSL	
Compatible Integration	ONVIF (Profile S), API	
INTERFACE		
Network	10/100M Base-TX Ethernet	
GENERAL		
Poer	12 V DC±25%, PoE (IEEE802.3 af)	
Power Consumption	Power consumption: Max 4W	
Dimensions (LxWxH)	167.3 × 62.9 × 62.7 mm (6.6" × 2.5" × 2.5")	
Weight	0.37kg (0.81lb)	
Working Environment	-30°C ~ +60°C (-22°F ~ 140°F)	
Humidity	Humidity :10%~90% RH (non-condensing)	
Ingress Protection	IP67	

Dimensions



Network Video Recorder



RECORDER MODEL: 2MN-8004-P4

VIDEO INPUT/ OUTPUT

IP Video Input	4CH
Two-way Audio Input	1CH, RCA

NETWORK

Incoming Bandwidth	80Mbps
Outgoing Bandwidth	64Mbps
Remote Users	128
Protocols	P2P, UPnP, NTP, DHCP, PPPoE

VIDEO/AUDIO OUTPUT

HDMI/VGA Output	HDMI: 3840x2160/30Hz, 1920x1080p/60Hz, 1920x1080p/50Hz, 1600x1200/60Hz, 1280x1024/60Hz, 1280x720/60Hz, 1024x768/60Hz VGA: 1920x1080p/60Hz, 1920x1080p/50Hz, 1600x1200/60Hz, 1280x1024/60Hz, 1280x720/60Hz, 1024x768/60Hz
Recording Resolution	4K/5MP/4MP/3MP/1080p/960p/720p/D1/2CIF/CIF
Audio Output	1-ch, RCA
Synchronous Playback	4-ch
Corridor Mode Screen	3/4

DECODING

Decoding format	Ultra 265/H.265/H.264
Liveview/Playback	4K/5MP/4MP/3MP/1080p/960p/720p/D1/2CIF/CIF
Capability	1 x 4K@30, 1 x 5MP@30, 2 x 4MP@30, 2 x 3MP@30, 4 x 1080P@30

HARD DISK

SATA	1 SATA interface
Capacity	up to 6TB for each disk

SMART

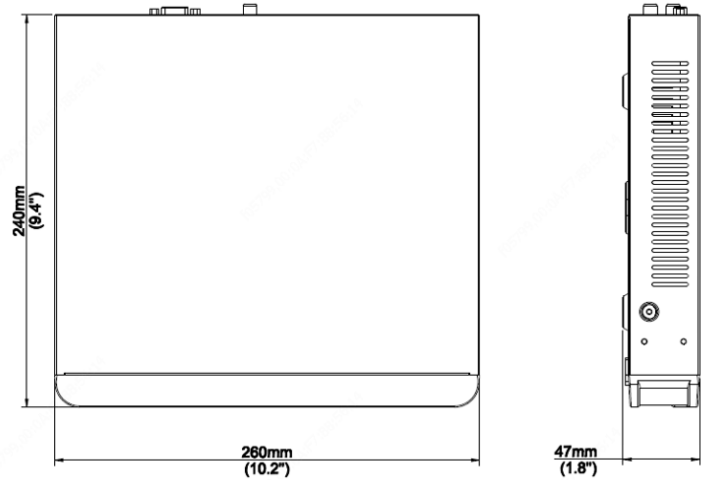
VCA Detection	Face detection, Intrusion detection, Cross line detection, Audio detection, Defocus detection, Scene change detection, Auto tracking, Object Left Behind, Object Removed
VCA Search	Face search, Behavior search
Statistical Analysis	People counting

EXTERNAL INTERFACE

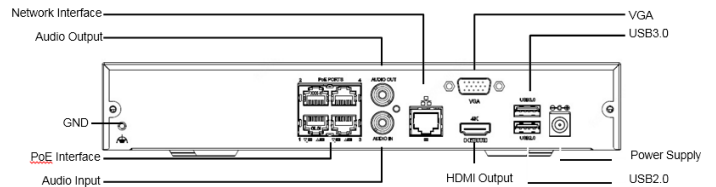
Network Interface	1 RJ45 10M/100M self-adaptive Ethernet Interface
USB Interface	Rear panel: 1 x USB2.0, 1 x USB3.0

POE	
Interface	4 independent 100 Mbps PoE network interfaces
Max Power	Max 30W for single port Max 54W in total (13.5W for each)
Supported Standard	IEEE 802.3at, IEEE 802.3af
GENERAL	
Power Supply	48V DC
Power Consumption	≤9W (without HDD)
Working Environment	-10°C ~ 55°C (14°F ~ 131°F), Humidity ≤ 90% RH (non-condensing)
Dimensions (W×D×H)	260 x 240 x 47 (mm) (10.2"×9.4"×1.9" in.)
Weight (without HDD)	1kg (2.20 lb)

Recorder Dimensions



Rear Panel



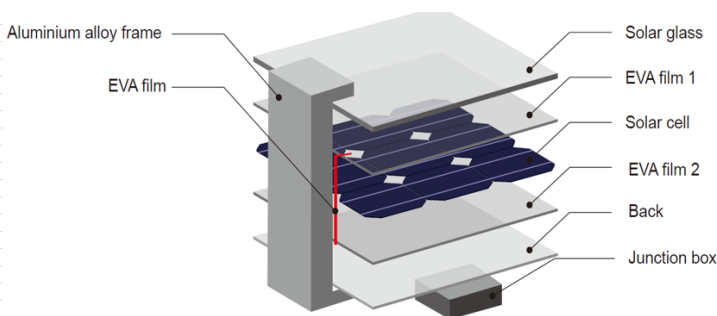
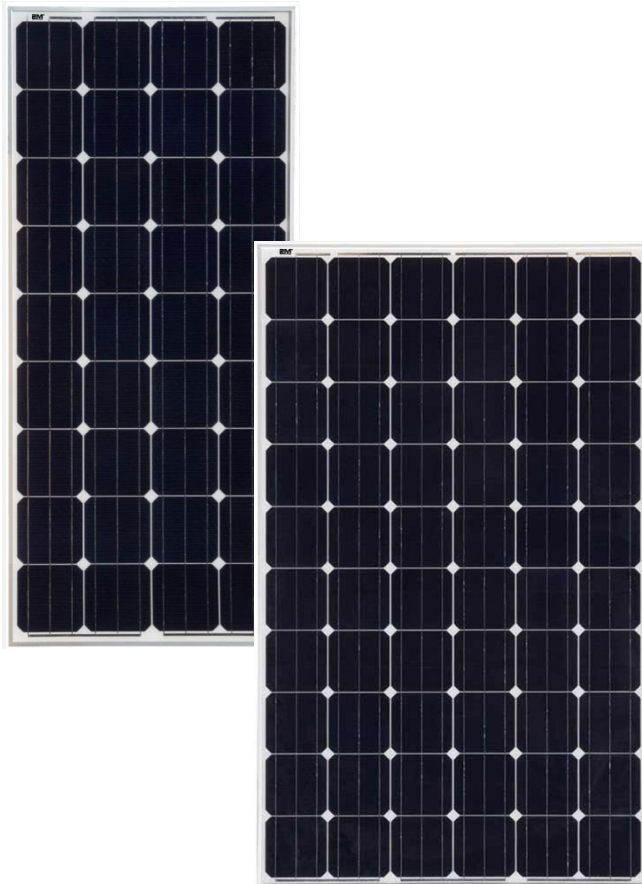
Lithium Iron Phosphate Battery

BATTERY SPECIFICATIONS	
Voltage	12.8V
Max Capacity	230AH
Discharge Stop Voltage	11.2V
Charge Stop Voltage	14.4V
Working Temperature	-10°C ~ 70°C 14°F to 158°F
Service Life	2000-2500 circle life
Features	Deep discharge depth, no memory, environmental protection, portable, long life



Note: Batteries are custom made according to the projects requirement. Picture is for reference only.

Solar Panel Modules



SOLAR MODULE SPECIFICATIONS

MODULE DATA

Standard Power (W)	170	300	380
Working Voltage (V)	18.86	32.01	38.41
Working Current (A)	8.51	8.86	8.86
Open Circuit Voltage (V) Voc	22.35	37.27	44.72
Short-circuit Current (A) Isc	9.02	9.373	9.895
Cell Efficiency (%) CE	19.3	19.9	19.9
Module Efficiency (%) ME	>16.13	>17.43	>17.52
Tolerance (%)	±3%		
Nominal Operating Cell Temperature	47°C (+/- 2°C) 116.6°F (+/- 35.6°F)		

TEMPERATURE COEFFICIENTS

Short Circuit Current Coefficient Isc (%)	0.04°C / 32.1°F
Open Circuit Voltage Coefficient Voc (%)	-0.38°C / 31.3°F
Nominal Power Factor Pm (%)	-0.47°C / 31.2°F
Working Current Coefficient Im(%)	0.04°C / 32.1°F
Working Voltage Coefficient Vm (%)	-0.38°C / 31.3°F

COMPONENTS & MECHANICAL DATA

Solar Cell	156 x 156 Mono-crystalline silicon		
Number of Cell (pcs)	4 x 9 series connection	6 x 10 series connection	6 x 12 series connection
Size of Module	1485 x 668 mm / 4.9' x 2.2' ft	1640 x 990 mm / 5.4' x 3.2' ft	1960 x 990 / 6.4' x 3.2' ft
Front Glass Thickness	3.2mm 0.1" in		
Surface Maximum Load Capacity	2400-5400Pa		
Allowable Hail Load	23m/s, 7.53g 23m/s, 0.3oz		
Weight Per Piece (kg)	15.26kg/33.6 lbs	18.86/41.6 lbs	22.16/48.9 lbs
Junction Box Type	Pass the TUV or CE Certificate		
Bypass Diode Rating (A)	12 or None		
Cable & Connector Type	Pass the TUV or CE Certificate		
Frame (Material Corners,etc.)	30# / 35#	40# / 35#	
Back Board Type (Brand Type)	TPT, PET or KPF		
Working Temperature	-40°C to 85°C -40°F to 185°F		
Standard Test Conditions	AM1.5 1000W/m ² 25°C/77°F		

Solar Power Controller MPPT



CONTROLLER SPECIFICATIONS

System Voltage	12V/24V/48V/96V automatic recognition
Max Charging Current	40A
Fast Charging Voltage	14.0/28.0V/56V/112V(25°C)/(77°F)
Boost Charging Voltage	14.5/29.0V/58.0V/116V(25°C)/(77°F)
Equalization Charging Voltage	14.8/29.6V/59.2V/118.4V(25°C)/(77°F)
Float Charging Voltage	13.7/27.4V/54.8V/109.6V(25°C)/(77°F)
Low Voltage Alarm	11.0/22.0/44.0/88.0V
Low Voltage Disarming	12.5/25.0V/50.0V/100.0V
Storage Cell Type	Liquid, Gel, Lithium
Temperature Compensation	-4.17mV/K per cell (boost charging, equalization charging); -3.33mV/K per cell (float charging)
Solar Power End Max Voltage	55V/100V/150V/300V
Storage Cell Max Voltage	DC280V
Cable Length	120mm/80mm 4.7" in/3.1" in.
High Protection Voltage For Storage Cell	15.5/31.0/62V/124V
Communication Protocol	RS232/RS485/TCP/IP transmission wired or wireless by GPRS/3G/4G etc.
Recommended Wire Diameter	6mm ²
Max Current Consumption	8mA /16mA /24mA
Working Temperature	-40°C ~ 60°C
Protection Level	IP30~IP68
Altitude (for reference)	4000~5000m 2.5~3.1 miles