



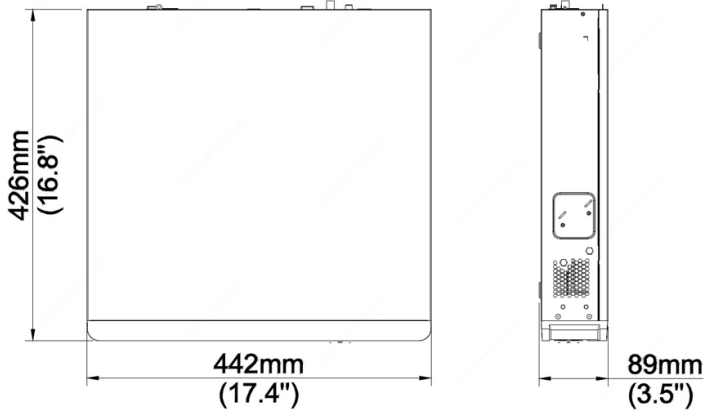
## Features

- Support Ultra H.265/H.265/H.264 video formats
- 64-channel input
- Third-party IP cameras supported with ONVIF conformance: Profile S, Profile G, Profile T
- Support 2-ch HDMI, 1-ch VGA. HDMI1 and HDMI2 up to 4K (3840x2160) resolution
- HDMI1, HDMI2, VGA independent outputs provided
- Up to 12 Megapixels resolution recording
- Support RAID 0, 1, 5, 6, 10
- 8 SATA HDDs, Up to 10TB for each HDD
- Various fisheye dewarping modes for live view and playback for both web interface and GUI
- Support N+1 Hot spareSupport for 12V Power output
- ANR technology to enhance the storage reliability when the network is disconnected
- Support cloud upgrade

## Specifications

|                             |   |
|-----------------------------|---|
| <b>VIDEO/AUDIO INPUT</b>    |   |
| <b>IP Video Input</b>       | 64-ch   |
| <b>Two-way Audio Input</b>  | 1-ch, RCA   |
| <b>NETWORK</b>              |   |
| <b>Incoming Bandwidth</b>   | 384Mbps   |
| <b>Outgoing Bandwidth</b>   | 384Mbps   |
| <b>Remote Users</b>         | 128   |
| <b>Protocols</b>            | P2P, UPnP, NTP, DHCP, PPPoE   |
| <b>HDMI/VGA Output</b>      |   |
|                             | VGA:<br>1920x1080p/60Hz, 1920x1080p/50Hz, 1600x1200/60Hz,<br>1280x1024/60Hz, 1280x720/60Hz,<br>1024x768/60Hz<br>HDMI1/HDMI2(HDMI audio output is not supported):<br>4K (3840x2160)/30Hz, 1920x1080p/60Hz, 1920x1080p/50Hz,<br>1600x1200/60Hz, 1280x1024/60Hz,<br>1280x720/60Hz, 1024x768/60Hz |
| <b>Recording Resolution</b> | 12MP/8MP/6MP/5MP/4MP/3MP/1080p/960p/720p/D1/2CIF/CIF  |
| <b>Audio Output</b>         | 1-ch, RCA   |
| <b>Synchronous Playback</b> | 16-ch   |
| <b>Corridor Mode Screen</b> | 3/4/5/7/9/10/12/16/32   |
| <b>DECODING</b>             |   |
| <b>Decoding format</b>      | Ultra 265, H.265, H.264   |
| <b>Live view/Playback</b>   | 12MP/8MP/6MP/5MP/4MP/3MP/1080p/960p/720p/D1/2CIF/CIF  |
| <b>Capability</b>           | 2 x 12MP@30, 4 x 4K@30, 8 x<br>4MP@30, 9 x 4MP@25, 16 x<br>1080P@30, 32 x 960P@25, 36 x<br>720P@30, 64 x D1   |
| <b>HARD DISK</b>            |   |
| <b>SATA</b>                 | 8 SATA interfaces   |
| <b>Capacity</b>             | up to 10TB for each HDD   |
| <b>eSATA</b>                | 1 eSATA interface   |
| <b>DISK ARRAY</b>           |   |
| <b>Array Type</b>           | RAID 0, 1, 5, 6, 10   |
| <b>EXTERNAL INTERFACE</b>   |   |
| <b>Network Interface</b>    | 2 RJ45 10M/100M/1000M self-adaptive Ethernet Interfaces   |
| <b>Serial Interface</b>     | 1 x RS232, 1 x RS485  |
| <b>USB Interface</b>        | Front panel: 2 x USB2.0,Rear panel: 1 x USB3.0  |
| <b>Alarm In</b>             | 16-ch   |
| <b>Alarm Out</b>            | 4-ch  |
| <b>GENERAL</b>              |   |
| <b>Power Supply</b>         | 100~240 VAC<br>Power Consumption: ≤ 25 W (without HDD)  |
| <b>Working Environment</b>  | -10°C~+ 55°C (+14°F~+131°F), Humidity ≤ 90% RH<br>(non-condensing)  |
| <b>Dimensions (W×D×H)</b>   | 442 x 426 x 89 (mm)/17.4" x 16.8" x 3.5" (in.)  |
| <b>Weight (without HDD)</b> | ≤ 5.7Kg (12.57lb)   |

Rear Panel



Dimensions

