



Specifications

Camera

- Resolution: 8MP
- Sensor: 1/2.8" CMOS
- Min. Illumination: Colour: 0.0025 lux (F1.6, AGC ON)
- Day/Night: 0 lux with IR
- Shutter: IR-cut filter with auto switch (ICR)
- Adjustment angle: Auto/Manual, 1 ~ 1/100000s
- Pan: 0° ~ 360°, Tilt: 0° ~ 90°, Rotate: 0° ~ 360°
- S/N: >52dB
- WDR: 120dB

Lens

- Lens type: 2.8~12mm
- Iris Type: Fixed
- Iris: F1.6
- Field of View (H): 107.4°~ 29.2°
- Field of View (V): 54.2°~ 16.3°
- Field of View (D): 111.0°~33.1°
- Zoom: Motorized

DORI

- DORI Distance (Lens): 2.8mm, 12mm
- DORI Distance (Detect): 86.9m(285.1ft), 372.4m(1121.8ft)
- DORI Distance (Observe): 34.8m(114.2ft), 149.0m(488.8ft)
- DORI Distance (Recognize): 17.4m(57.1ft), 74.5m(244.4ft)
- DORI Distance (Identify): 8.7m(28.5ft), 37.2m(112.0ft)

Illuminator

- Illumination Distance(IR): 50m
- Wavelength: 850nm
- IR On/Off Control: Auto/Manual

Certification

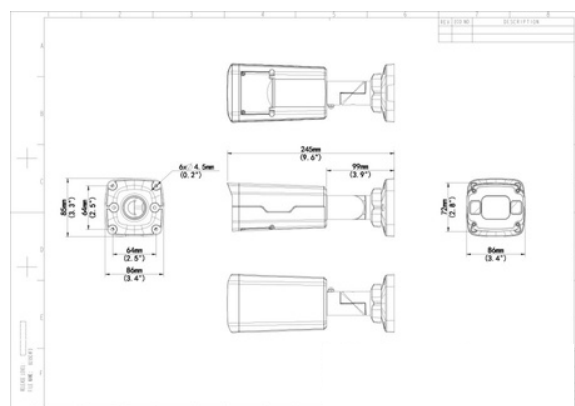
- Protection: IP67 (IEC 60529)
- IK10 (IEC 62262)

Features

- High quality image with 8MP, 1/2.8" CMOS sensor
- 8MP (3840*2160)@20fps; 5MP (3072*1728)@30/25fps; 4MP (2560*1440)@30/25fps; 2MP (1920*1080) @30/25fps
- Ultra 265, H.265, H.264, MJPEG
- Smart intrusion prevention includes cross line, intrusion, enter area, leave area detection
- Based on target classification, intelligent intrusion prevention significantly reduces false alarms caused by leaves, birds, lights, etc., accurately focuses on human, motor vehicle, and non-motor vehicle
- Ultra-high image quality in low illumination environment
- 120dB accurate WDR technology enables clear images in the strong light scene
- Support 9:16 Corridor Mode
- Alarm: 1 in/1 out, Audio: 1 in/1 out
- Smart IR, up to 50m (164ft) IR distance Supports 256 G Micro SD card
- IK10 vandal resistant
- IP67 protection
- Support PoE power supply

General

- Power: DC 12V±25%, PoE (IEEE 802.3af)
- Power consumption: Max 10.5W
- Power interface: Ø 5.5mm coaxial power plug
- Dimensions: 245 × 86 × 72mm (9.6" × 3.4" × 2.8")
- Weight: 0.92kg (2.03lb)
- Material: Metal
- Working environment: -30°C ~ 60°C (-22°F ~ 140°F), Humidity: ≤95% RH (non-condensing)
- Storage environment: -30°C ~ 60°C (-22°F ~ 140°F), Humidity: ≤95% RH (non-condensing)
- Surge protection: 6KV
- Reset button: Support



Video

- Video Bit Rate: Ultra 265; H.265; H.264; MJPEG
- H.264 code profile: Baseline profile, Main profile, High profile
- Frame rate : Main Stream: 8MP (3840*2160), Max 20fps; 5MP (3072*1728), Max 30fps; 4MP (2560*1440), Max 30fps; 1080P (1920*1080), Max 30fps;
Sub Stream: 1080P (1920*1080), Max 30fps;720P (1280*720), Max 30fps; D1 (720*576), Max 30fps; 640*360,Max 30fps; 2CIF(704*288), Max 30fps; CIF(352*288), Max 30fps;
Third Stream: D1 (720*576), Max 30fps; 640*360,Max 30fps; 2CIF(704*288), Max 30fps; CIF(352*288), Max 30fps
- Video Bit Rate: 128 Kbps~16 Mbps
- U-code: Support
- OSD: Up to 8 OSDs
- Privacy mask: Up to 4 areas
- ROI: Up to 8 areas
- Video stream: Triple streams

Image

- White Balance: Auto/Outdoor/Fine Tune/Sodium Lamp/Locked/Auto2
- Digital noise reduction: 2D/3D DNR
- Smart IR: Support
- Flip: Normal/Vertical/Horizontal/180°/90°Clockwise/90°Anti-clockwise
- Dewarping: Support
- HLC: Support
- BLC: Support
- Defog: Digital Defog

Intelligent

- Smart intrusion prevention: Support false alarm filtering;&Cross Line detection&Intrusion detection&Enter Area detection&Leave Area detection
- Statistical analysis: People counting; support people flow counting and crowd density monitoring

Events

- Basic detection: Motion detection;Ultra motion detection; Tampering alarm; Audio detection
- General function: Watermark;IP Address Filtering;Access Policy;ARP Protection;RTSP Authentication;User Authentication;HTTP Authentication

Audio

- Audio compression: G.711U;G.711A
- Audio bitrate: 64 Kbps
- Two-way audio: Support
- Suppresion: Support
- Sampling rate: 8KHZ

Storage

- Edge storage: Micro SD, up to 256 GB
- Network storage: ANR;NAS(NFS)

Network

- Protocol:IPv4;IPv6;IGMP;ICMP;ARP;TCP;UDP;DHCP;PPPoE;RTP;RTSP;RTCP;RTMP;DNS;DDNS;NTP;FTP;UPnP;HTTP;HTTPS;SMTP;SSL/TLS;802.1x;SNMP;SSH
- Compatible: ONVIF (Profile S, Profile G, Profile T);API;SDK
- User/ Host security: Up to 32 users. 3 user levels: administrator,common user and operator
- Web browser: Plug-in required live view: IE 10 and above,Chrome 45 and above,Firefox 52 and above,Edge 79 and above;Plug-in free live view: Chrome 57.0 and above,Firefox 58.0 and above,Edge 16 and above

Interface

- Audio I/O: Input: impedance 35kΩ; amplitude 2V [p-p]

Output: impedance 600Ω; amplitude 2V [p-p]

- Alarm I/O: 1/1
- Built-in mic: N/A
- Built-in speaker: N/A
- WIFI: N/A
- Serial port: N/A
- Network: 1 * RJ45 10M/100M Base-TX Ethernet
- Video Output: N/A