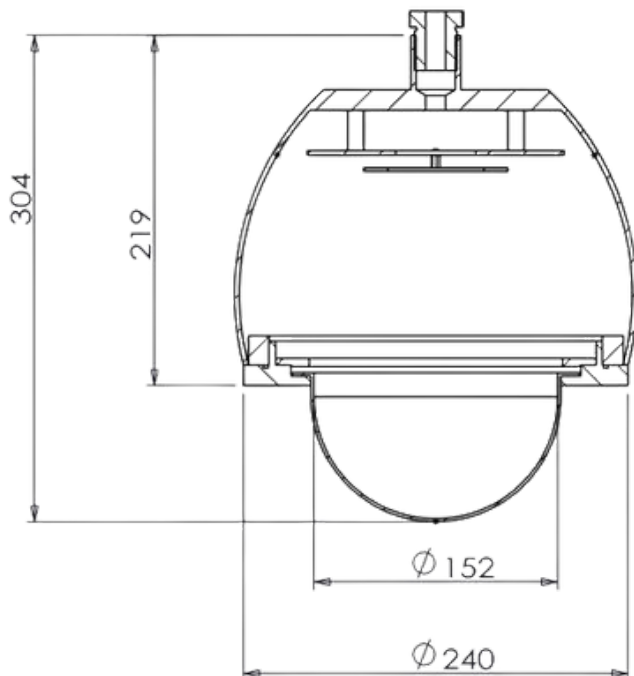




## Features

- Available in 304 or 316L stainless steel construction
- Dome cover made from polycarbonate aviation-grade composite for high strength and superior corrosion resistance
- Supports dome and PTZ cameras

## Dimensions



## Specifications

### GENERAL SPECIFICATIONS

<b>Atmospheric Pressure</b>	80 - 106 KPa
<b>Operating Humidity</b>	≤95 % RH (+25°C)
<b>Operating Temperature</b>	-30°C ~ +70°C (-22°F ~ 158 °F)
<b>Certificate Mark</b>	Ex d IIC T6 Gb/Ex tD A21 IP68 T80°C
<b>Dimensions (Ø × H)</b>	240 mm × 304 mm ( 9.45 in × 11.97 in)
<b>Cable Thread Hole</b>	M25
<b>Ingress Protection</b>	IP68
<b>Weight</b>	≤23 kg (50.71 lbs)
<b>Material</b>	Stainless steel 304/316L
<b>Surface Treatment</b>	Stainless Steel Original Color, electropolishing (optional)
<b>Rotation Angle</b>	Horizontal 0°-360°, vertical -90°- +90°
<b>Rotation Speed</b>	Horizontal 1-300°/s, vertical 1-180°/s
<b>Method of Installation</b>	Wall mounting, lifting installation

### ELECTRICAL FEATURES

<b>Power Supply</b>	AC 24V
<b>Working Current</b>	≤ 2A
<b>Cable Output</b>	Integrated cable, 0.8 meters
<b>Automatic Mode</b>	Automatic cruise or any setting two rounds
<b>Pre-Position</b>	256 Locations (Selectable)