



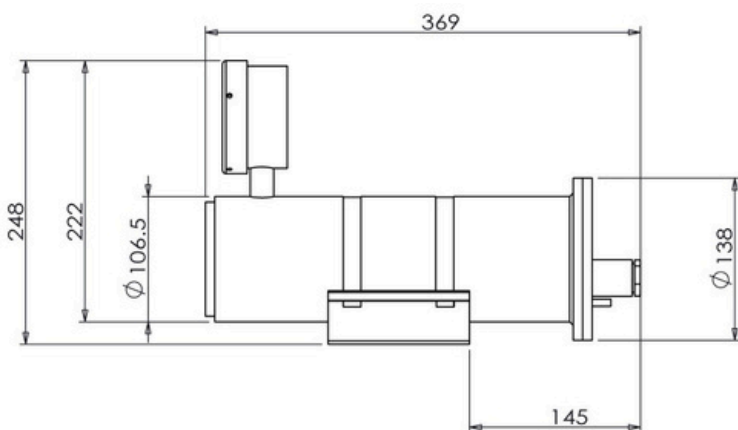
### Features

- Applicable for flammable gas environments Zone 1 & Zone 2 and combustible dust environments Zone 20, Zone 21, & Zone 22
- Suitable for Class IIA, IIB, and IIC environments with T1-T6 temperature group compliance
- Made from high-quality 304 or 316L stainless steel
- Optics-grade, toughened, ultra-clear white explosion-proof glass with a light transmittance (flux) rate higher than 96%
- Internal install dimension 269.5×66×83mm fits most cameras
- Explosion-proof, dust-proof, water-proof, and corrosion-proof

### Applications

- Oil & gas fields
- Chemical processing plants
- Maritime harbors & ports
- Fuel tank farms
- Steamships & cargo vessels
- Offshore drilling platforms
- Gas stations
- Military Bases

### Dimensions



### Specifications

CERTIFICATION	
<b>Marking</b>	II 2G Ex db IIC T6 Gb II 2D Ex tb IIIC (85°C) Db
<b>Certificate No.</b>	IEP 14 ATEX 0251
MECHANICAL	
<b>Material</b>	304 or 316L stainless steel
<b>Surface Treatment</b>	Stainless steel original color, electropolishing (optional)
<b>Internal Dimensions (L × W × H)</b>	269.5 × 66 × 83 mm (10.6" × 2.6" × 3.3")
<b>Ingress Protection</b>	IP68
<b>Cable Thread Hole</b>	M25*2
<b>Weight</b>	≤8 kg (17.6 lb)
<b>Method of Installation</b>	Wall Mounting
IR	
<b>Distance</b>	30 m / 60 m (98 ft / 197 ft)
<b>Wavelength</b>	850 nm
<b>IR On/Off Switch</b>	Auto (≤10 lux)
ENVIRONMENTAL	
<b>Atmospheric Pressure</b>	80-106 KPa
<b>Rated Temperature</b>	-30°C to +70°C (-22°F to +158°F)
<b>Humidity</b>	≤95% RH (+25°C)

