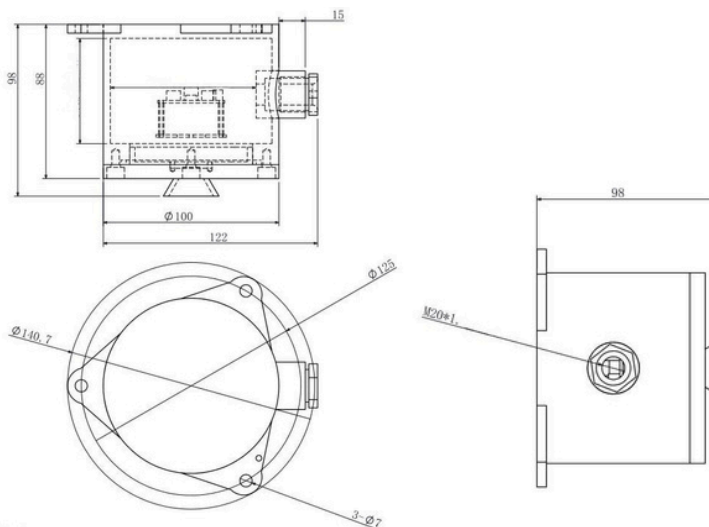




Features

- Constructed from high-quality 304 or 316L stainless steel for superior durability and corrosion resistance.
- Integrated multi-level dynamic noise reduction technology delivers clear audio with minimal background noise.
- Features an AGC (Automatic Gain Control) circuit, lightning protection, and reverse-polarity power protection.
- Designed for hazardous environments with explosion-proof, dust-proof, waterproof, and corrosion-resistant construction.

Dimensions



Specifications

CERTIFICATION	
EX Certificate No.	CNEx18.6098X
EX Certificate Mark	Ex d IIC T6 Gb/Ex tD A21 IP66 T80°
ENVIRONMENTAL	
Temperature Range	-30°C to +60°C (-22°F to +140°F)
MECHANICAL	
Voltage	DC 12 V
Working Current	20 mA
Directivity	Omnidirectivity
SNR	75 dB
Output Impedance	75 dB
Output Signal Amplitude	2.5Vpp/-25dB
Max Sound Pressure	2.5Vpp/-25dB
Connection	Red cable 12VDC positive pole Black cable Ground White cable audio positive pole
Transmission Cable	3-core 0.5mm RVVP cable Ordinary 4-core telephone cable Category 5 network twisted pair cable
Cable Thread Size	M20 × 1.5
Material	Stainless Steel 304, 316L