



Features

- Flexible panoramic coverage of 180, 270, or full 360 degrees using dynamic 8-sensor stitching that adjusts seams in real time.
- Single-IP dual-stream output provides an 8192 x 1800 panoramic feed and a highly detailed 2688 x 1520 live stream simultaneously.
- The massive 110-degree vertical field of view ensures complete visibility with zero blind spots, even at a 6-meter mounting height.
- High-sensitivity 1/1.8" CMOS sensor pairs with Wise-ISP technology to deliver exceptional starlight-level clarity in ultra-low-light conditions.
- Advanced image processing automatically reduces heat haze, stabilizes video gyroscopically, and adapts to night-time glare from passing vehicles.
- IP67 weather-rated housing features a built-in wiper to keep the lens clear during heavy rainfall.
- Click-to-track any target in the panoramic view to have the detail channel automatically zoom in and track it with high precision.
- Seamless handover tracking keeps the camera locked on subjects even after they leave the main panoramic area.
- Effortless setup using a new one-click calibration tool and a highly accurate encoder for incredibly smooth physical movement.
- Built-in smart analytics provide highly accurate perimeter intrusion alerts, multi-zone people counting, and crowd density tracking.
- System classifies pedestrians and vehicles to minimize false alarms and trigger reliable alerts using extracted attributes.
- On-device processing supports facial recognition capabilities for up to 100,000 face images across 16 distinct databases.
- Integrated audio-visual alarm equipped with strobe lights and customizable voice warnings actively deter unauthorized access the moment a threat is detected.

Description

Dual-channel panoramic PTZ camera for 360 deg scene coverage, detailed target tracking, smart intrusion prevention, people counting, face detection, and low-light surveillance.

Specifications

Channel	Channel 1 (Panorama)	Channel 2 (Detail)
CAMERA		
Sensor	1/1.8" CMOS	
Max Resolution	16 MP	4 MP
Min. Illumination	Color	0.0003 Lux (F1.0, AGC ON)
	IR	0.0005 Lux (F1.2, AGC ON)
Shutter	Auto/Manual, 1 to 1/100000 s	
WDR	N/A	120 dB
S/N	>56 dB	
LENS		
Optical Zoom	N/A	25x
Digital Zoom	N/A	8x
Field of View	H	360°
	V	110°
DORI		
Lens	2 mm	6–150 mm
DORI Distance	Detect	31 m (101.8 ft)
	Observe	12.4 m (40.7 ft)
	Recognize	6.2 m (20.4 ft)
	Identify	3.1 m (10.2 ft)
ILLUMINATOR		
Light On/Off Control	N/A	Auto/Manual
Illumination Distance	IR	N/A
	Warm Light	N/A
VIDEO		
Video Compression	H.265, H.264, MJPEG, Ultra 265	
Video Bit Rate	128 Kbps to 16 Mbps	

Specifications

Frame Rate	Main Stream	16MP (8192 x 1800), max. 30 fps; 5760 x 1264, max. 30 fps; 4096 x 900, max. 30 fps	4MP (2688 x 1520), max. 60 fps; 4MP (2560 x 1440), max. 60 fps; 1080P (1920 x 1080), max. 60 fps; 720P (1280 x 720), max. 60 fps; D1 (720 x 576), max. 60 fps; 640 x 360, max. 60 fps
	Sub Stream	2560 x 560, max. 30 fps	1080P (1920 x 1080), max. 60 fps; 720P (1280 x 720), max. 60 fps; D1 (720 x 576), max. 60 fps; 640 x 360, max. 60 fps
	Third Stream	2048 x 452, max. 30 fps	720 x 576, max. 60 fps; 640 x 360, max. 60 fps; 704 x 288, max. 60 fps; 352 x 288, max. 60 fps
Video Stream	Triple streams		
U-code	Support		
ROI	Up to 8 areas		
OSD	Up to 10 OSDs		
Privacy Mask	Up to 8 areas (8 blacks/ 8 mosaics)	24 areas, up to 8 areas per scene	
IMAGE			
Defog	N/A	Digital defog	
White Balance	Sodium lamp, Area white balance, Outdoor, Locked, Fine tune, Auto2, Auto		
Flip	N/A	Flip vertical, 180°, Flip horizontal, Normal	
HLC	Support		
BLC	Support		
Heatwave Reduction	N/A	Support	
INTELLIGENT			
Linkage Function	Triggered by fixed lens via smart intrusion prevention function to track target		
People Counting	People flow counting and crowd density detection		
Smart Intrusion Prevention	Cross line detection, intrusion detection, enter area detection, leave area detection (false alarm filtering; classification of human, non-motor vehicle & vehicle)		
Auto Tracking	N/A	Target filtering: human, non-motor vehicle, vehicle	

Multi-Target Detection	N/A		
Recognition	N/A	Face Recognition: Max 16 face libraries, Max 100000 faces in library	
EVENTS			
Basic Detection	Motion detection, Ultra motion detection, Tampering alarm, Audio detection	Motion detection, Ultra motion detection, Tampering alarm, Audio detection, Object removed, Object Left Behind	
General Function	Watermark, IP address filtering, Alarm input, Alarm output, Access policy, ARP protection, RTSP authentication, User authentication, HTTP authentication		
PTZ			
Pan	Range	N/A	0°–360°
	Speed	N/A	0.1°/s–288°/s
Tilt	Range	N/A	-15°–90°
	Speed	N/A	0.1°/s–200°/s
Number of Presets	N/A	1024	
Preset Patrol	N/A	16 patrols, up to 64 presets for each patrol	
Preset Image Freeze	N/A	Support	
Home Position	N/A	Support	
3D Positioning	N/A	Support	
Number of Patrols	N/A	16	
Snow Removal Mode	N/A	Support	
Patrol Recording	N/A	Support	
NETWORK			
Compatible Integration	ONVIF (Profile S, Profile G, Profile T, Profile M), API, SDK		
Protocols	SSH, IGMP, RTP, RTCP, SMTP, IPv4, IPv6, ICMP, ARP, TCP, UDP, DHCP, PPPoE, RTSP, RTMP, DNS, DDNS, NTP, UPnP, HTTP, 802.1x, SNMP, QoS, SSL/TLS, HTTPS, FTP		
Security	TLS 1.3, Password protection, Strong Password, HTTPS encryption, Export operation logs, Basic and Digest Authentication for RTSP, Digest Authentication for HTTP, TLS 1.2, WSSE and Digest Authentication for ONVIF		

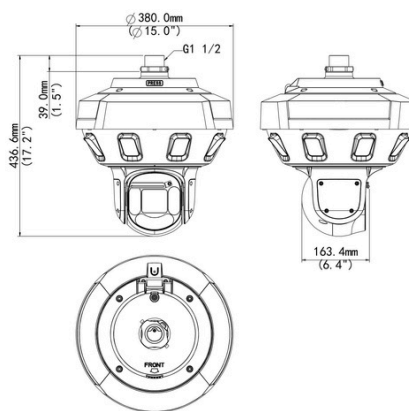
Specifications

User/Host	Up to 32 users. 2 user levels: administrator and common user	
Client	EZStation, UNV-Link, UNV-Link Pro	
Web Browser	Plug-in required live view: IE 10+, Chrome 45+, Firefox 52+, Edge 79+	
LIVE VIEW		
Maximum Bitstream	20	
Maximum Bandwidth	50 Mbps	
Plugin Free	Support	
STORAGE		
Edge Storage	MicroSD, up to 512 GB	
Network Storage	ANR, NAS (NFS)	
CERTIFICATION		
EMC	UL (UL 62368-1) CUL (CAN/CSA C22.2 No. 62368-1) CE-LVD (EN IEC 62368-1)	
Safety	UL (UL 62368-1; CAN/CSA C22.2 No. 62368-1) CE LVD (EN IEC 62368-1)	
Environment	CE-RoHS (2011/65/EU; (EU) 2015/863) WEEE (2012/19/EU)	
Protection	IP67 (IEC 60529) IK10 (IEC 62262, Anti-Vandalism Except for the Front Window)	
AUDIO		
Audio I/O	Input	2: impedance 1 kΩ, amplitude 2.5 V [p-p]
	Output	2: impedance 600 Ω, amplitude 2.5 V [p-p]
Audio Compression	G.711A, G.711U	
Audio Bitrate	128 Kbps	
Two-Way Audio	Support	
Suppression	Support	
Sampling Rate	8 kHz, 16 kHz	
INTERFACE		
Alarm I/O	7/3	
Serial Port	1 x RS485	
Built-In Mic	Support	
Built-In Speaker	2 built-in speakers	
Network	1 x RJ45 1000 M Base-TX Ethernet	

GENERAL

Power	DC 24 V (+/-25%), DC 36 V (+/-25%)	
Power Consumption	Max. 135 W	
Power Interface	Wires with cold-pressed terminal	
Dimensions (Ø × H)	380 × 436.6 mm (15" × 17.2")	
Weight	12.5 kg (27.6 lb)	
Working Environment	Temperature	-40°C to +70°C (-40°F to +158°F)
	Humidity	≤95% RH (non-condensing)
Storage Environment	Temperature	-40°C to +70°C (-40°F to +158°F)
	Humidity	≤95% RH (non-condensing)
Surge Protection	6 KV	
Reset Button	Support	
Web Client Language	22 Languages: Traditional Chinese, English, Simplified Chinese, Polish, German, Russian, French, Korean, Dutch, Czech, Portuguese (Europe), Portuguese (Brazil), Japanese, Thai, Turkish, Spanish (Latin America), Spanish (Europe), Hungarian, Italian, Vietnamese, Arabic, Slovak	
Wiper	N/A	Manual

Dimensions — [mm]



Accessories



Pole Mounting Bracket



Pendant Mounting Bracket



Wall Mount Bracket